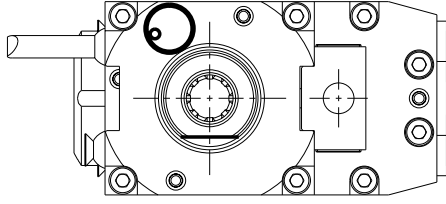
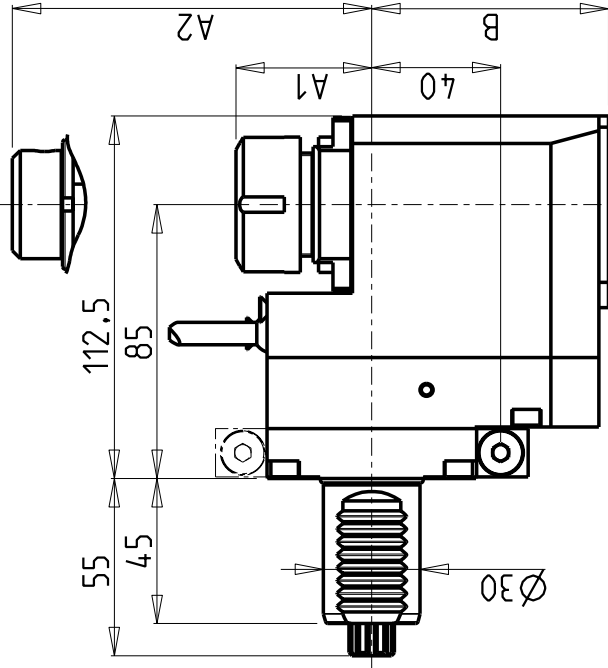
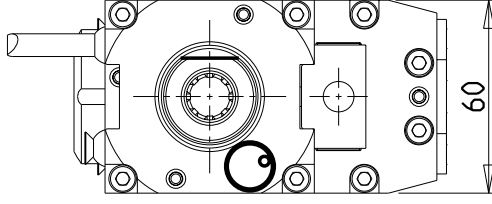


versione sx  
left version  
version links



versione dx  
right version  
version rechts

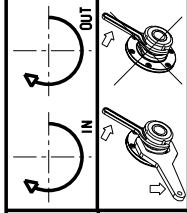


Cod. MT	Mandrino Spindile Spindel	I	RPM	Coppia Max Max Torque Max Drehmoment	Lubrificazione int. Coolant through Innenkuehlung	Lubrificazione est. Ext. coolant Aussenkuehlung	A1	A2	B	CHIAVI NON INCLUDE Keys not included Schlüssel nicht einbeigriffen
										versione dx right version version rechts
SAU0210120	ER20	1:1	6000	32Nm	-	X	41.16	-	73.5	CHSTER20
SAU0210320	ERA20	1:1	6000	32Nm	-	X	24.5	-	73.5	CHTAER20ZC
SAU0210420	ERA20	1:1	6000	32Nm	P=70bar	X	24.5	-	83.5	CHTAER20ZC
SAU0210125	ER25	1:1	6000	32Nm	-	X	42.16	-	73.5	CHSTER25
SAU0210225	ER25	1:1	6000	32Nm	P=70bar	X	42.16	-	83.5	CHSTER25
SAU0210325	ERA25	1:1	6000	32Nm	-	X	28.5	-	73.5	CHTAER25ZC
SAU0210425	ERA25	1:1	6000	32Nm	P=70bar	X	28.5	-	83.5	CHTAER25ZC
SAU0210516	WELDON16	1:1	6000	32Nm	-	X	-	27.5	73.5	-

- Chiave inclusa
- Key included
- Schlüssel einbeigriffen

SAUTER  
VDI 30

MODULO MOTORIZZATO RADIALE ARRETRATO VDI30 DIN 5482 H=85mm  
Radial rear-set driven tool VDI30 DIN 5482 H=85mm  
Radial angetriebenes Werkzeug zurueckversetzt VDI30 DIN 5482 H=85mm



**M.T. srl**

Via Casino Albini 480  
Tel. 0541/956034-957884  
47842 S. GIOVANNI IN M. (RN)  
e-mail: mima@mtmarchetti.com  
http://www.mtmarchetti.com

PRODUZIONE MODULI ROTANTI



PAGINA SAU015-2-70

03/2015