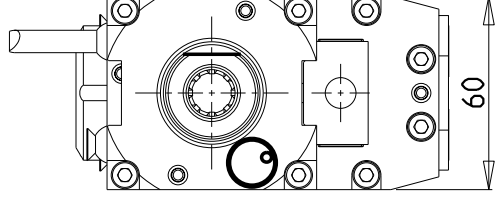
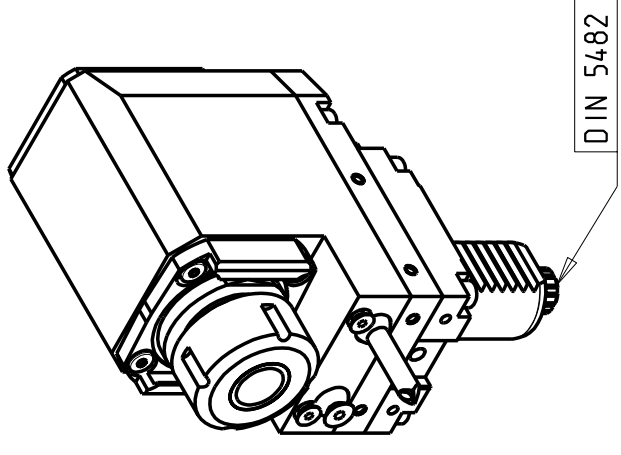
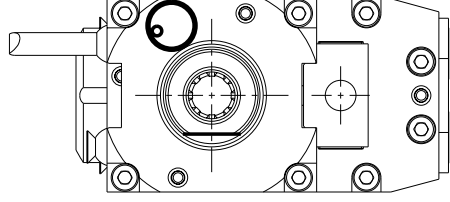


versione dx
right version
version rechts



versione sx
left version
version links

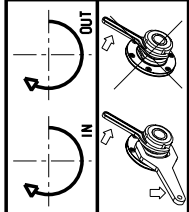


Cod. MT	Mandrino Spindle Spindel	I	RPM	Coppia Max Max Torque Max Drehmoment	Lubrificazione int. Coolant through Innenkuehlung	Lubrificazione est. Ext. coolant Aussenkuehlung	A1	A2	B	CHIAVI NON INCLUDE Keys not included Schlüssel nicht einbegriffen	
										versione dx right version version rechts	versione sx left version version links
SAU0200120	ER20	1:1	6000	32Nm	-	X	41.16	-	73.5	CHSTER20	OKU0290009 *
SAU0200320	ERA20	1:1	6000	32Nm	-	X	24.5	-	73.5	CHTAER20ZC *	OKU0290009 *
SAU0200420	ERA20	1:1	6000	32Nm	P=70bar	X	24.5	-	83.5	CHTAER20ZC *	OKU0290009 *
SAU0200125	ER25	1:1	6000	32Nm	-	X	42.16	-	73.5	CHSTER25	OKU0290009 *
SAU0200225	ER25	1:1	6000	32Nm	P=70bar	X	42.16	-	83.5	CHSTER25	OKU0290009 *
SAU0200325	ERA25	1:1	6000	32Nm	-	X	28.5	-	73.5	CHTAER25ZC *	OKU0290009 *
SAU0200425	ERA25	1:1	6000	32Nm	P=70bar	X	28.5	-	83.5	CHTAER25ZC *	OKU0290009 *
SAU0200516	WELDON16	1:1	6000	32Nm	-	X	-	27.5	73.5	-	-

- Chiave inclusa
- Key included
- Schlüssel inbegriffen

SAUTER
VDI 30

MODULO MOTORIZZATO RADIALE ARRETRATO VDI30 DIN 5482 H=75mm
Radial rear-set driven tool VDI30 DIN 5482 H=75mm
Radial antriebsriehenes Werkzeug zurueckversetzt VDI30 DIN 5482 H=75mm



M.T. srl
Via Casino Albini 480
Tel. 0541/956034-957884
47842 S. GIOVANNI IN M. (RN)
e-mail: mima@mimarchetti.com
http://www.mimarchetti.com



PRODUZIONE MODULI ROTANTI
PAGINA SAU015-2-60