

RWM

RWM-160-2/3/4 RWM-200-2/3/4

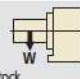
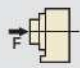

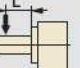
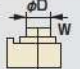
High-productivity model for multi-piece/multi-face machining. The RWM-160, the smallest of the RN-series, assures the fastest operation and meets the requirements for drilling and tapping machines.

Specifications



RWM-160R-2,PS

Unit: mm

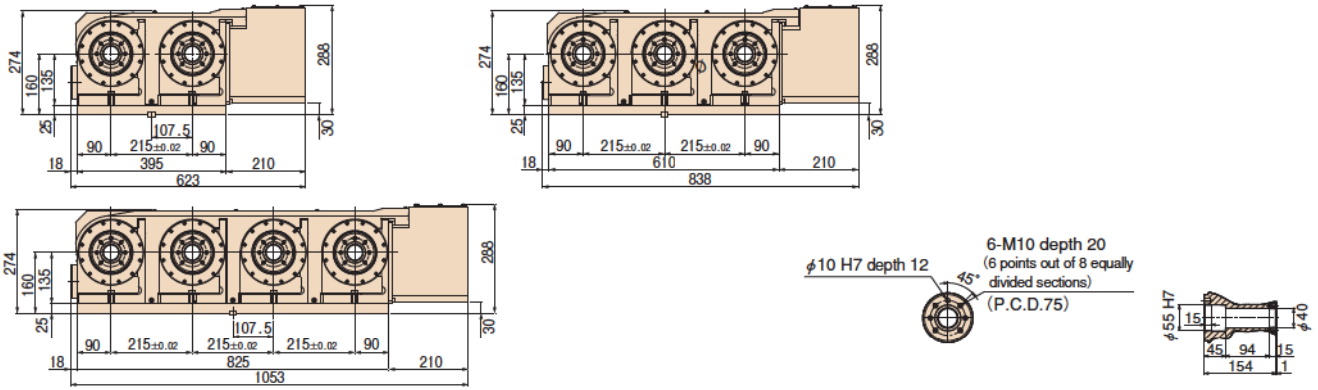
		RWM-160			RWM-200		
Handedness	R	○			○		
	L	○			○		
Spindle diameter		φ 100h7			φ 120h7		
Table diameter		φ 160 (Option)			φ 200 (Option)		
Distance between spindles		215 or 250			250 or 320		
Center height		135			160		
Center bore	Nose diameter	φ 55H7			φ 65H7		
	Through-bore	φ 40			φ 45		
Guide block width		14h7			18h7		
Servo motors (for FANUC)		α iF4			α iF8		
Number of axis		2-axis	3-axis	4-axis	2-axis	3-axis	4-axis
Inertia converted into motor shaft (When spindle pitch is minimum)	$\times 10^{-3} \text{kg} \cdot \text{m}^2$	0.31	0.43	0.56	0.46	0.64	0.85
Net weight (When spindle pitch is minimum and with base plate)	kg	105	150	200	155	225	295
Speed reduction ratio		1/72			1/72		
Table max. rpm	min^{-1} (Motor rpm: $3,000 \text{min}^{-1}$)	41.6			41.6		
Clamp system		Pneumatic			Pneumatic		
Clamp torque /pneumatic pressure 0.49MPa	N·m	500			800		
Indexing accuracy (the sum)	sec	25			20		
Strength of worm gears	N·m	206			288		
Allowable work weight	Vertical setting  kg/axis () : with tailstock	100 (200)			125 (250)		
	F  N	10800			14400		
Allowable load (when table is clamped)	F × L  N·m	500			800		
	F × L  N·m	780			1900		
Allowable work inertia (per single-axis)	$J = \frac{W \cdot D^2}{8}$  $\text{kg} \cdot \text{m}^2$	0.64			1.25		

☞ Servo motors of other manufacturers **P.66**

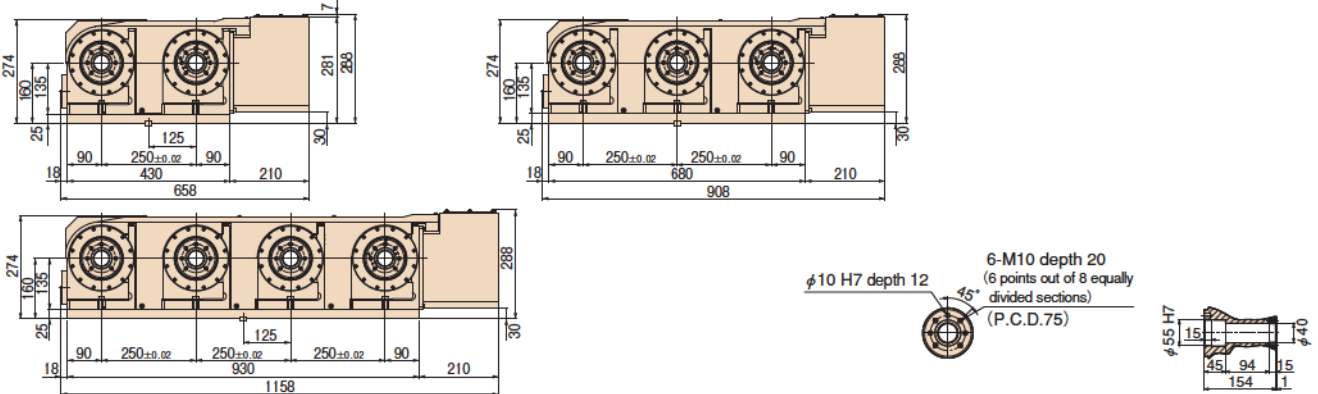
Dimensions

Unit: mm

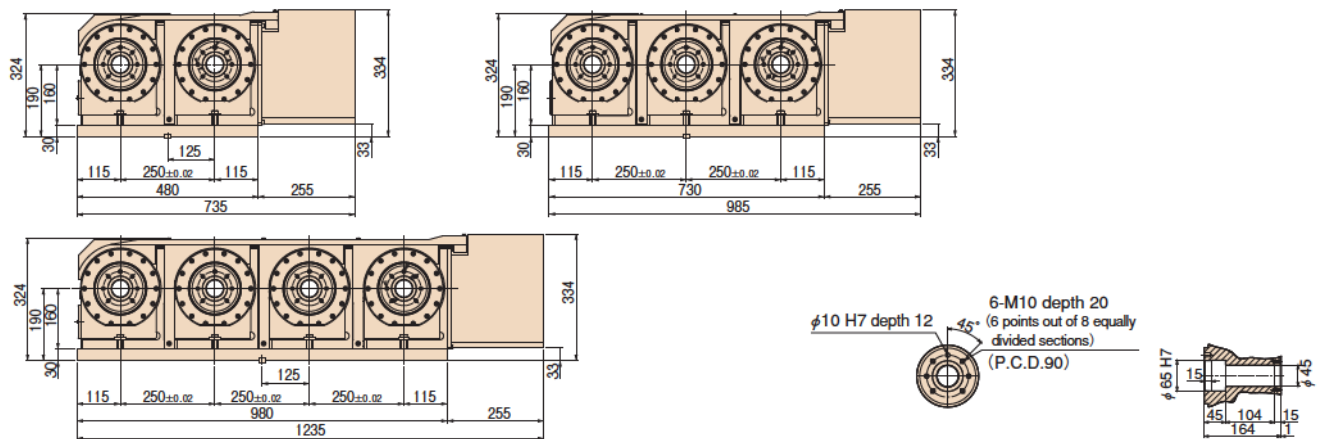
RWM-160R-2/3/4,PS



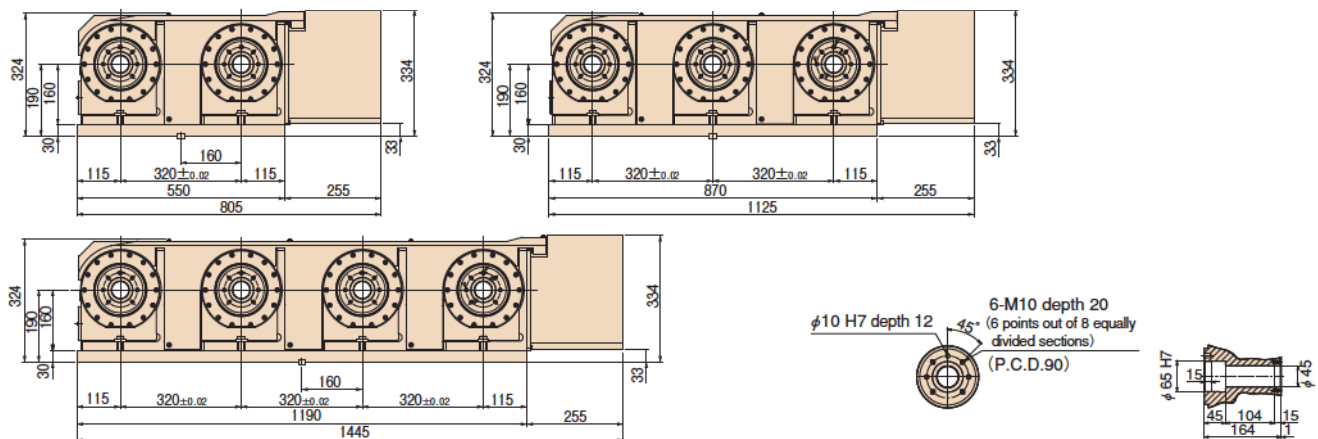
RWM-160R-2/3/4,PL



RWM-200R-2/3/4,PS



RWM-200R-2/3/4,PL



Note: The above dimensions are for FANUC servo motors. The dimensions of servo motors of other manufacturers may be larger.

- RBS
- TBS
- RWE/RWA-RN
- RWE/RWA-B RNCV-B
- RNCM
- RWB
- RWB-K RNCK
- RCH RNC
- RCV RNCV
- Multi-Spindle RWM
- TWA/TN
- TTNC
- THNC
- Multi-Spindle TWM
- RDS
- RTV RTT
- RCB
- NC Controllers
- Accessories
- Options
- Technical Information