

NC Rotary Tables

Basic model

Standard type

RNE

RNE-160R · 200R · 250R · 320R

RNE series are entry model which keeps Tsudakoma quality, but realizes affordable price.



RNE-160R

Specifications

Unit: mm

		RNE-160	RNE-200	RNE-250	RNE-320		
RBA-K RNCK	Handedness	R	○	○	○		
		L	○	○	○		
RCH RNC	Spindle diameter	φ100	φ120	—	—		
RCV RNCV	Table diameter *1	φ160 or φ200 (Option)	φ200 or φ250 (Option)	φ250	φ320		
Multi-Spindle RN-N	Center height	135	160	160	210		
	Center bore	Nose diameter	φ55H7x45	φ65H7x45	φ75H7x20	φ110H7x25	
		Through-bore	φ40	φ45	φ45	φ82	
RZ	Table T-slot width *1	12H8 (Option)	12H8 (Option)	12H8	14H8		
TN	Guide block width	14h7	18h7	18h7	18h7		
TTNC	Servo motors (for FANUC)	αiF4	αiF4	αiF8	αiF12		
	Inertia converted into motor shaft	×10 ⁻³ kg·m ²	0.06	0.14	0.35	1.50	
THNC	Net weight	kg	45	65	110	205	
	Speed reduction ratio		1/90	1/90	1/120	1/120	
Multi-Spindle TTNC-N	Table max. rpm	min ⁻¹	33.3	33.3	25	25	
		(Motor rpm: 3,000min ⁻¹)					
RC RH	Indexing accuracy (the sum)	sec	25	20	20	20	
	Repeatability	arc sec	7	7	7	7	
RUA	Clamp system		Pneumatic	Pneumatic	Pneumatic	Pneumatic	
TSUA	Clamp torque	N·m	250	400	600	1000	
	∕ pneumatic pressure 0.49MPa						
RTV RTT	Strength of worm gears	N·m	206	288	596	939	
	Allowable work weight	Vertical setting	kg	75 (150)	100 (200)	100 (200)	150 (300)
Horizontal setting		kg	—	—	—	—	
Options	Allowable load (when table is clamped)	F	N	7,840	13,720	13,720	19,600
		FxL	N·m	250	400	600	1,000
Technical Information	Allowable work inertia	FxL	N·m	392	980	980	1,960
		$J = \frac{W \cdot D^2}{8}$	kg·m ²	0.48	1.00	1.56	3.84

☞ Servo motors of other manufacturers

P.70

☞ When assembling a faceplate or a fixture with the main spindle

P.80

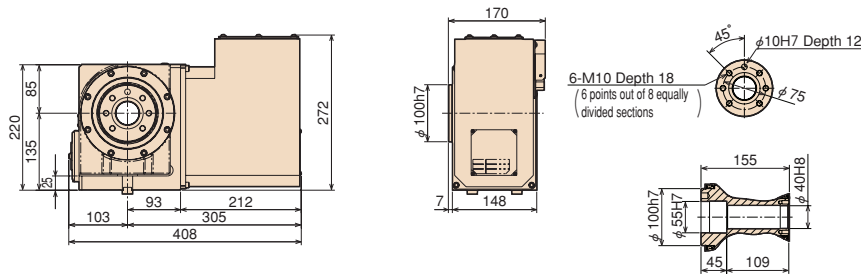
*1 The tolerance of the table T-slot width is applicable to four standard slots arranged crosswise. ☞ Dimensions

P.64

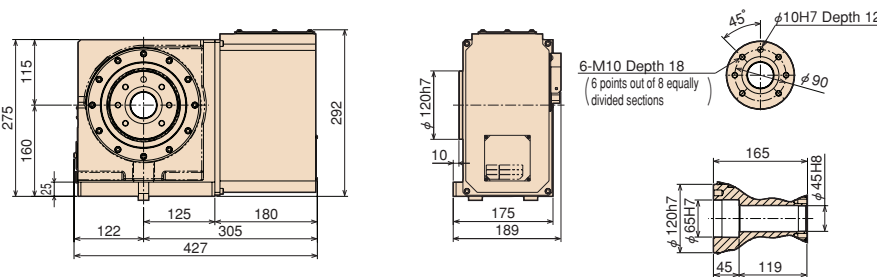
Dimensions

Unit: mm

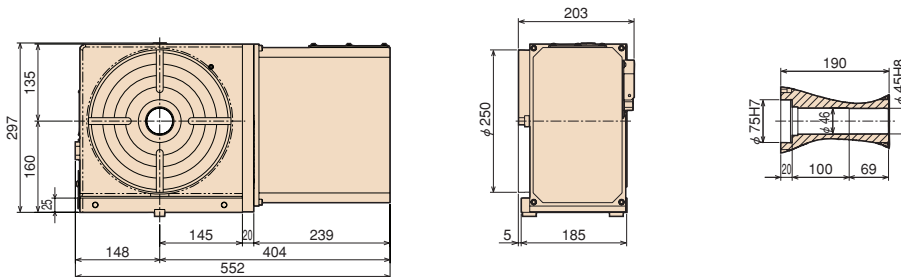
RNE-160R



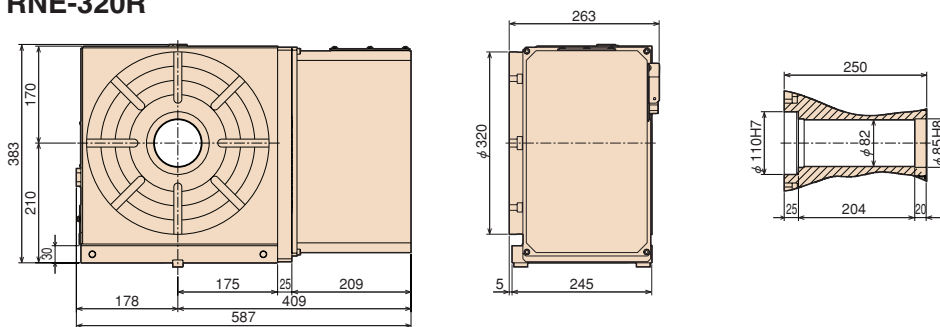
RNE-200R



RNE-250R



RNE-320R



Note: The above dimensions are for FANUC servo motors. The dimensions of servo motors of other manufacturers may be larger.

RG

RNA
RN

RNE

RNA-B
RNCV-B

RNCM

RBA

RBA-K
RNCX

RCH
RNC

RCV
RNCV

Multi-Spindle
RN-N

RZ

TN

TTNC

THNC

Multi-Spindle
TTNC-N

RC
RH

RUA

TSUA

RTV
RTT

NC Controllers

Accessories

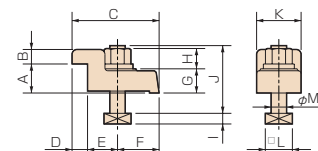
Options

Technical Information

Clamping block and bolt

Unit: mm

	Q'ty	T-slot pitch	T-slot width	A	B	C	D	E	F	G	H	I	J	K	L	M
RNE-160	2	-	14	-	-	-	-	-	-	-	17	8	60	-	23	12
RNE-200	2	-	18	-	-	-	-	-	-	-	21	11	60	-	28	16
RNE-250	4	40~120	18	25	12	80	12	33	35	22	21	11	65	40	28	16
RNE-320	4	55~147	18	30	15	90	16	31	43	25	21	11	70	46	28	16



Note 1: When using a machine with a T-slot pitch other than the above, use suitable clamping blocks and bolts that are available on the market, or order custom-made ones from TSUDAKOMA. (Optional)