

PART NO. S2289-00M

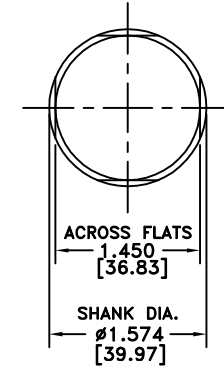
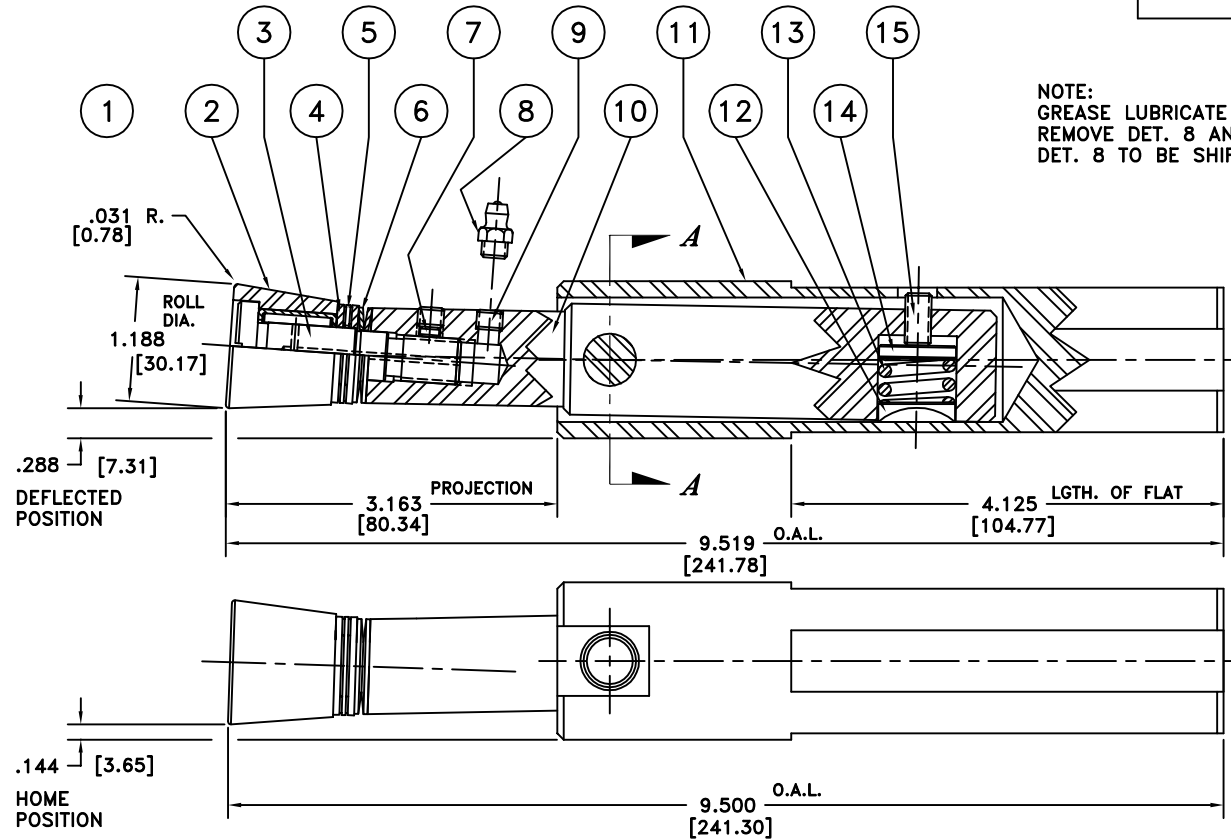
USED ON:

PART NO. S2289-00M

SHEET NO. _____ OF _____

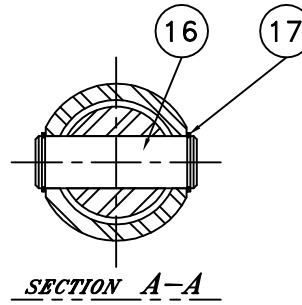
ENG. CHANGE NO.

NOTE:
GREASE LUBRICATE TOOL WITH DET. 8 IN PLACE.
REMOVE DET. 8 AND REPLACE WITH DET. 7.
DET. 8 TO BE SHIPPED WITH TOOL.



SPRING PRESSURE AT ROLL RADIUS
HOME POSITION (PRELOAD) 60 LBS.
MAX. DEFLECTED POSITION 125 LBS.
PRESSURE OF 31 LBS. FOR EACH
REVOLUTION OF DET.15.

17	RETAINING RING	P8286-50	2	
16	PIVOT PIN	S2289D16	1	
15	SOC.SET SCREW	1730	1	
14	SLUG	S2269D15	1	
13	SPRING	S2269-39	1	
12	SLUG	S2269D12	1	
11	SHANK	S2289-12M	1	
10	HOLDER	S2289D10	1	
9	SOC.SET SCREWS	173H	2	
8	LUBRICATION FITTING	PC56-1792B	1	
7	BRASS SLUG	4236H1AP	1	
6	BELLEVILLE SPRINGS	579-71	2	
5	THRUST BEARING	P1067-0	1	
4	BEARING RACES	P1067H	2	
3	AXLE	S2289D3	1	
2	ROLL	S2289-05	1	
1	ASSEMBLED TOOL	S2289-00M	~	
	PART NAME	PART NUMBER	REQ.	CHG. OUT



THIS DRAWING CONTAINS INFORMATION OF A PROPRIETARY NATURE AND IS ISSUED FOR REFERENCE USE ONLY AND MAY NOT BE COPIED, REPRODUCED OR USED TO MANUFACTURE ANYTHING SIMILAR HEREON WITHOUT WRITTEN PERMISSION.

NAME BURNISHING TOOL

DR. BY: S.C. Poettinger 7/2/08 TOOL NO.

CKD. BY: PROJECT NO. Q14358KM

SCALE = N.T.S. PART NO. S2289-00M