

- Chiave inclusa
- Key included
- Schlüssel inbegriffen

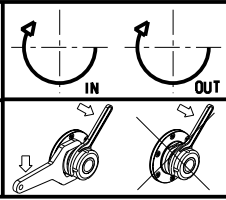
Cod. MT	Mandrino Spindel Spindel	I	RPM	Coppia Max Max Torque Max Drehmoment	Reversibile lato mandrino/contromandrino Reversibile sub/main spindle side Umkehrbare Spindel-seite/ Gegenspindel-seite	Lubrificazione int. Coolant through Innenkuehlung	Lubrificazione est. Ext. coolant Aussenkuehlung	A	B	CHIAVI NON INCLUSE Keys not included Schlüssel nicht inbegriffen		
DW 02290320	ERA20	1:1	6000	35Nm	X	-	X	66,5	46	CHUB22	CHTAER20ZC	OKU0290009
DW 02290420	ERA20	1:1	6000	35Nm	X	P=70bar	X	66,5	56	CHUB22	CHTAER20ZC	OKU0290009
DW 02290325	ERA25	1:1	6000	35Nm	X	-	X	70	46	CHUB27	CHTAER25ZC	OKU0290009
DW 02290425	ERA25	1:1	6000	35Nm	X	P=70bar	X	70	56	CHUB27	CHTAER25ZC	OKU0290009

DOOSAN BMT 45

MOD: LYNX 220 M/LM/LMS/LY/LSY - LYNX 2100 M/LM/LMS/LY/LSY - PUMA MX1600 16ST. - PUMA TT1300SY/SYY

MODULO MOTORIZZATO ASSIALE H=65mm
Axial driven tool H=65mm
Axial angetriebenes Werkzeug H=65mm

Subject to change without notice.

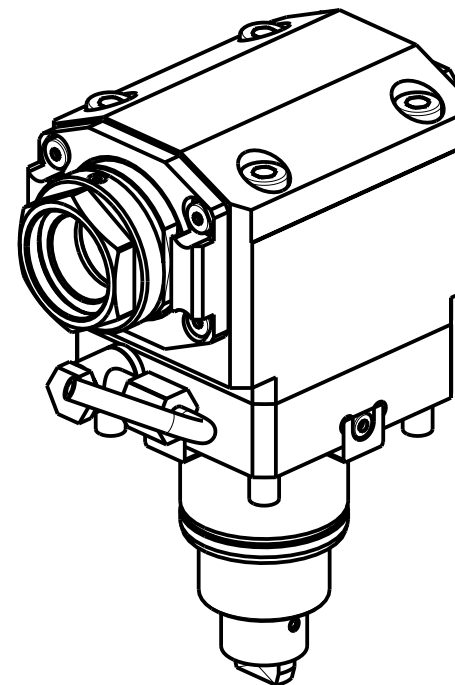
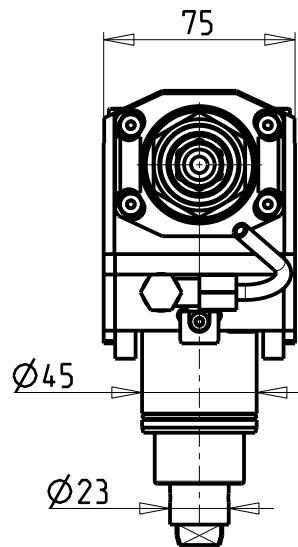
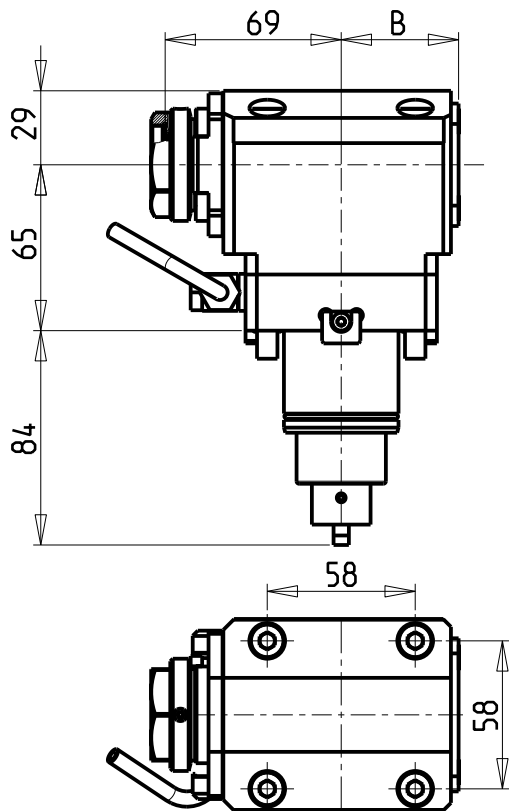


M.T. srl
Via Casino Albini 480
Tel. 0541/956034-957884
Fax 0541/956341
47842 S. GIOVANNI IN M. (RN)
e-mail: mtma@mtmarchetti.com
http://www.mtmarchetti.com

PRODUZIONE MODULI ROTANTI



PAGINA DW 0150-1-00



PER PORTAUTENSILI MODULARI MTSK-32 VEDI PAG. TBL300-1-32
 FOR MTSK-32 QUICK CHANGE TOOLHOLDERS CLAMPINGS SEE PAGE TBL300-1-32
 FUER MTSK-32 MODULARE WERKZEUGAUFNAHMEN SIEHE SEITE TBL300-1-32

- Chiave inclusa
- Key included
- Schluessel inbegriffen

Cod. MT	Mandrino Spindle Spindel	I	RPM	Coppia Max Max Torque Max Drehmoment	Reversibile lato mandrino/contromandrino Reversible sub/main spindle side Umkehrbare Spindel-seite/ Gegenspindel-seite	Lubr.interna Coolant through Innenkuehlung	Lubrificazione est. Ext. coolant Aussenkuehlung	B	CHIAVI NON INCLUSE Keys not included Schluessel nicht einbegriffen	
DW01790132	MTSK-32	1:1	6000	35Nm	X	-	X	46	CHUB36	OKU0290009 ▪
DW01790232	MTSK-32	1:1	6000	35Nm	X	P=70bar	X	56	CHUB36	OKU0290009 ▪

DOOSAN BMT 45

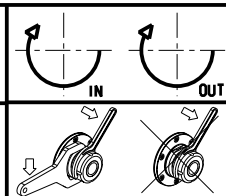
MOD: LYNX 220 M/LM/LMS/LY/LSY - LYNX 2100 M/LM/LMS/LY/LSY - PUMA MX1600 16ST. - PUMA TT1300SY/SYY

MODULO MOTORIZZATO ASSIALE MTSK H=65mm

Axial MTSK driven tool H=65mm

Axial MTSK angetriebenes Werkzeug H=65mm

Subject to change without notice.



M.T. srl
 Via Casino Albini 480
 Tel. 0541/956034-957884
 Fax 0541/956341
 47842 S. GIOVANNI IN M. (RN)
 e-mail: mtma@mtmarchetti.com
 http://www.mtmarchetti.com

PRODUZIONE MODULI ROTANTI



PAGINA DW0150-1-00-K