

RLP-S

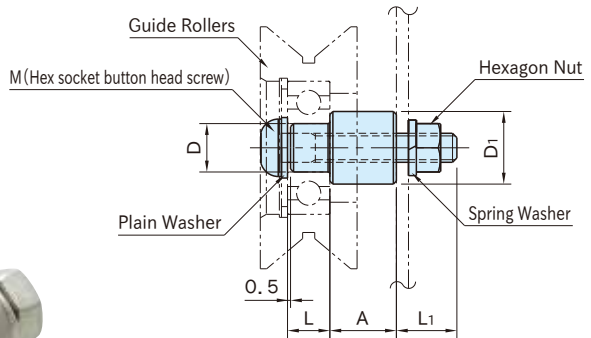
ROLLER PINS



RLP-S
(Steel)



RLP-S-SUS
(Stainless Steel)



| Type | Body |
|------------------|------------------------------------|
| RLP-S | S45C steel Black oxide finished |
| RLP-S-SUS | Stainless steel (SUS303) |

| Steel Part Number | Stainless Steel Part Number | D (g7) | L | D ₁ | A | M | L ₁ | Weight (g) |
|----------------------|--------------------------------|-----------|----|----------------|------|--------------|----------------|---------------|
| RLP06S | - | 6 | 6 | 10 | 8.5 | M 4×0.7 -25L | 9.7 | 10 |
| RLP08S | RLP08S-SUS | 8 | 7 | 12 | 12 | M 5×0.8 -30L | 10 | 18 |
| RLP10S | RLP10S-SUS | 10 | 8 | 16 | 13.5 | M 6×1 -35L | 11.9 | 35 |
| RLP12S | RLP12S-SUS | 12 | 10 | 19 | 15.5 | M 8×1.25-40L | 12.9 | 62 |
| RLP15S | - | 15 | 11 | 22 | 18.5 | M10×1.5 -45L | 13.5 | 105 |

How To Use

Use as a shaft for Guide Rollers.

Features:

- Stainless-steel roller pins have excellent resistance to corrosion.
- Perfect for use on food processing machines and washing machines.

Note

Depending on thickness of the mounting plate, prepare a proper hex socket button head screw that is commercially available.