

RLP

ROLLER PINS

RHS SUS

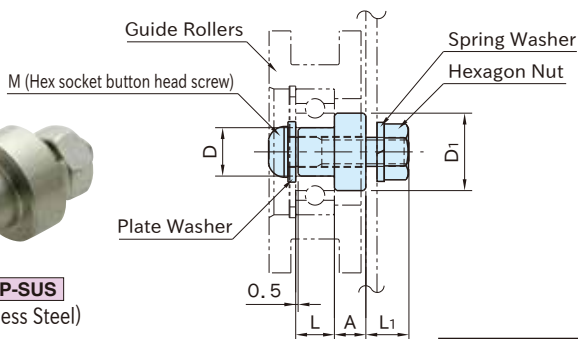
IMAO



RLP
(Steel)



RLP-SUS
(Stainless Steel)



Type	Body
RLP	S45C steel Black oxide finish
RLP-SUS	SUS303

Steel	Stainless Steel	D		L	D ₁	A	M	L ₁	Weight (g)
Part Number	Part Number								
RLP0605	-	6	-0.004	5.5	10	4	M 4×0.7 -16L	5.7	10
RLP0606	-		-0.016	6				5.2	
RLP0611	-	8	-0.020	11	12	5.5	M 4×0.7 -25L	9.2	12
RLP0807	RLP0807-SUS		-0.032	7				6.5	
RLP0813	-	10	-0.005	13	16	6.5	M 5×0.8 -30L	10.5	18
RLP1008	RLP1008-SUS		-0.020	8				8.9	
RLP1016	-	12	-0.040	16	19	7.5	M 6×1 -25L	8.9	25
RLP1210	RLP1210-SUS		-0.055	10				10.9	
RLP1216	-	15	-0.005	10	22	10	M 8×1.25-30L	14.9	40
RLP1511	-		-0.020	12				14.9	
RLP1517	-	17	-0.040	16	25	12	M 8×1.25-40L	14.9	47
RLP1712	-		-0.058	11				14.9	
RLP1720	-	20	-0.005	11	30	13	M 10×1.5 -35L	12	80
RLP2014	-		-0.020	17				16	
RLP2018	-	25	-0.040	17	34		M 10×1.5 -45L	16	90
RLP2521	-		-0.058	12				16	
RLP2521	-	25	-0.006	12	34		M 12×1.75-45L	18.7	110
RLP2521	-		-0.024	14				20.7	
RLP2521	-	25	-0.012	20	34		M 12×1.75-55L	20.7	125
RLP2521	-		-0.030	18				24.8	
RLP2521	-	25	-0.007	14	34		M 16×2 -55L	24.8	200
RLP2521	-		-0.028	18				30.8	
RLP2521	-	25	-0.040	18	34		M 16×2 -65L	30.8	220
RLP2521	-		-0.061	21				27.8	
RLP2521	-	25	-0.012	21	34			27.8	270
RLP2521	-		-0.033	21				27.8	

How To Use

Use for a shaft of Guide Rollers.

Note

Depending on thickness of the mounting plate, prepare a proper hex socket button head screw that is commercially available.