

# QLSWC

## SWING CLAMPS WITH ADJUSTABLE HANDLE

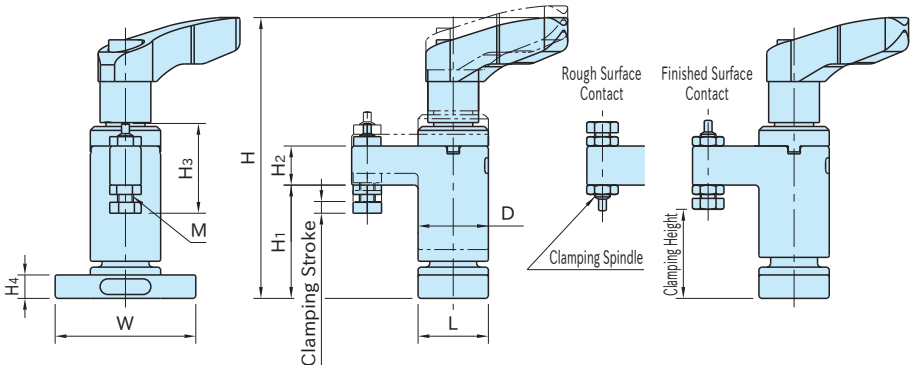
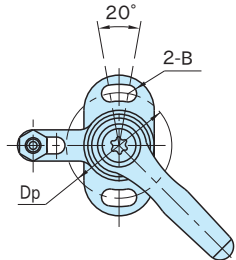
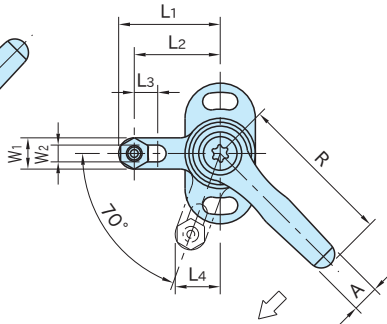
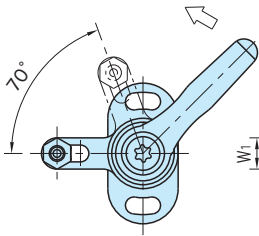


| Base/Washer/Clamping Spindle | Body                  | Handle             |
|------------------------------|-----------------------|--------------------|
| S45C steel                   | SCM440 steel          | ZDC1 die cast zinc |
| Quenched and tempered        | Quenched and tempered | Coated with paint  |
| Black oxide finish           | Black oxide finish    | Black              |

- Clamp worked by a screw-locking mechanism which allows providing longer clamping stroke and greater clamping force than a cam-locking mechanism.
- Operated by an adjustable handle that allows for flexible handle positioning.

Counterclockwise Clamping

Clockwise Clamping



| Part Number  | Clamping Direction | Clamping Height *)       |             |                       |             | Clamping Stroke | L <sub>2</sub> | L <sub>3</sub> | L <sub>1</sub> | L <sub>4</sub> | W  | L  | H <sub>4</sub> | B    | Dp |
|--------------|--------------------|--------------------------|-------------|-----------------------|-------------|-----------------|----------------|----------------|----------------|----------------|----|----|----------------|------|----|
|              |                    | Finished Surface Contact |             | Rough Surface Contact |             |                 |                |                |                |                |    |    |                |      |    |
|              |                    | Min.                     | Max.        | Min.                  | Max.        |                 |                |                |                |                |    |    |                |      |    |
| QLSWC-0618KR | CW                 | 21.8                     | 23.8        | 21.4                  | 23.4        | 3               | 22             | 6              | 26             | 11.5           | 36 | 18 | 6              | 4.3  | 27 |
| QLSWC-0618KL | CCW                | (21.8~24.8)              | (23.8~26.8) | (21.4~24.4)           | (23.4~26.4) |                 |                |                |                |                |    |    |                |      |    |
| QLSWC-0823KR | CW                 | 30.3                     | 32.3        | 31.2                  | 33.2        | 4               | 30             | 8              | 35             | 15.3           | 45 | 23 | 8              | 5.3  | 34 |
| QLSWC-0823KL | CCW                | (30.3~34.3)              | (32.3~36.3) | (31.2~35.2)           | (33.2~37.2) |                 |                |                |                |                |    |    |                |      |    |
| QLSWC-1030KR | CW                 | 30.5                     | 37          | 31.5                  | 38          |                 |                |                |                |                |    |    |                |      |    |
| QLSWC-1030KL | CCW                | (30.5~34.5)              | (37~41)     | (31.5~35.5)           | (38~42)     |                 |                |                |                |                |    |    |                |      |    |
| QLSWC-1240KR | CW                 | 34.5                     | 44          | 37                    | 46.5        | 5               | 45             |                | 55             | 25.4           | 85 | 40 | 15             | 10.5 | 64 |
| QLSWC-1240KL | CCW                | (34.5~39.5)              | (44~49)     | (37~42)               | (46.5~51.5) |                 |                |                |                |                |    |    |                |      |    |

\*) Clamping height can be adjusted. The parenthesised values denote clamping height range.

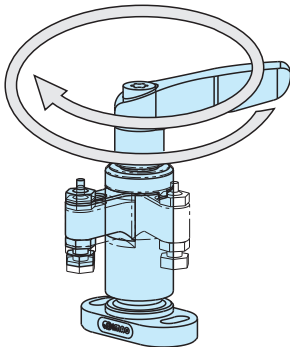
| Part Number  | H     | D  | W <sub>1</sub> | W <sub>2</sub> | H <sub>2</sub> | H <sub>1</sub> | M        | R  | A   | H <sub>3</sub> | Adjustable Handles **) | Allowable Operating Load (N)***) | Clamping Force (kN) | Weight (g) |
|--------------|-------|----|----------------|----------------|----------------|----------------|----------|----|-----|----------------|------------------------|----------------------------------|---------------------|------------|
| QLSWC-0618KR | 71.9  | 18 | 8              | 4.3            | 10             | 29             | M 4x0.7  | 40 | 7   | 22.8           | FKF 6-BR               | 170                              | 2                   | 121        |
| QLSWC-0618KL |       |    |                |                |                |                |          |    |     |                | FKF 8-BR               |                                  | 3.2                 |            |
| QLSWC-0823KR | 97.3  | 23 | 10             | 5.3            | 14             | 39             | M 5x0.8  | 65 | 9.5 | 28.5           | FKF 8-BR               | 350                              | 3.2                 | 276        |
| QLSWC-0823KL |       |    |                |                |                |                |          |    |     |                | FKF10-BR               |                                  | 4.5                 |            |
| QLSWC-1030KR | 122.3 | 30 | 16             | 8.4            | 18             | 48             | M 8x1.25 | 80 | 11  | 45.5           | FKF10-BR               | 410                              | 4.5                 | 600        |
| QLSWC-1030KL |       |    |                |                |                |                |          |    |     |                | FKF12-BR               |                                  | 6                   |            |
| QLSWC-1240KR | 145.7 | 40 | 20             | 10.4           | 22             | 58             | M10x1.5  | 95 | 13  | 57             | FKF12-BR               | 410                              | 6                   | 1225       |
| QLSWC-1240KL |       |    |                |                |                |                |          |    |     |                |                        |                                  |                     |            |

\*\* ) Studs are bonded with FKF handles.

\*\*\*) Allowable load to operate the handle.

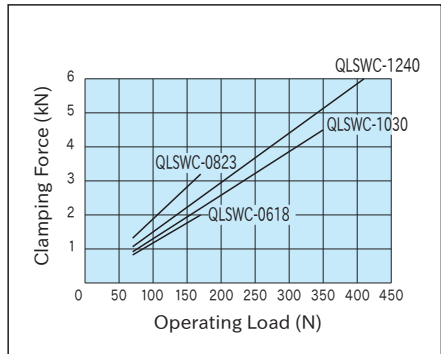
### How To Use

- Turning the handle allows the clamp arm to swing for clamping.
- Lifting the handle allows the handle to be disengaged from the teeth of the locking element and then be turned to a desired position.



Note: The above indicates the handle operation of CW type. Invert the operation for CCW type.

### Performance Curve



### QLSWC

SWING CLAMPS FOR TORQUE CONTROL



Stronger type without handle is available.