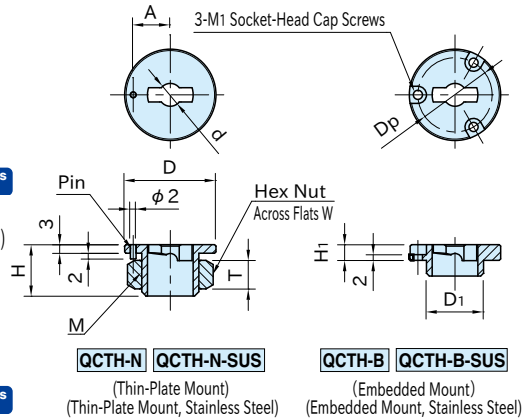


QCTH-N / QCTH-B CAM RECEPTACLES



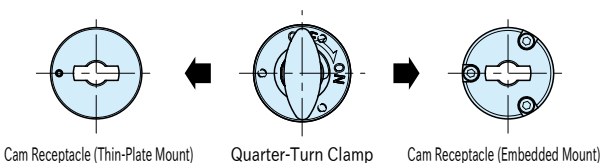
Type	Body	Nut
QCTH-N	SCM440 steel	Stainless steel
QCTH-B	Electroless nickel plated	—
QCTH-N-SUS	SCS24 stainless steel	Stainless steel
QCTH-B-SUS	(Equivalent to SUS630)	—

Part Number	Plate Thickness	D	H	d (+0.08 +0.04)	A (±0.1)	M	T	W	D ₁ (-0.04 -0.08)	H ₁	M ₁	D _p	Weight (g)	Quarter-Turn Clamps		
QCTH0525-N	Thin-Plate Mount	6~10	25	-0.04	16	5	10.5	M14×1.5 (Fine Thread)	8	22	—	—	40	QCTH	0525-10	
QCTH0525-N-SUS														QCTH-S		
QCTH0834-N		6~12	32	-0.08	18	8	13	M20×1.5 (Fine Thread)	10	30	—	—	55	QCTH-L-S		0834-14
QCTH0834-N-SUS														QCTH-SUS		
QCTH0525-B	Embedded Mount	Over 10	25	9	5	—	—	—	14	4.5	M2	21	20	QCTH	0525-10	
QCTH0525-B-SUS														QCTH-A		
QCTH0834-B		Over 12	32	11	8	—	—	—	20	5.5	M3	26	35	QCTH-A-S		0834-14
QCTH0834-B-SUS														QCTH-A-SUS		

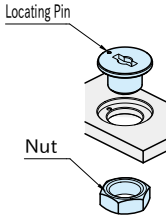
Supplied With

- **QCTH0525-B**/**QCTH0525-B-SUS** : 3 of socket-head cap screws(stainless steel), M2×0.4-5L
- **QCTH0834-B**/**QCTH0834-B-SUS** : 3 of socket-head cap screws(stainless steel), M3×0.5-6L

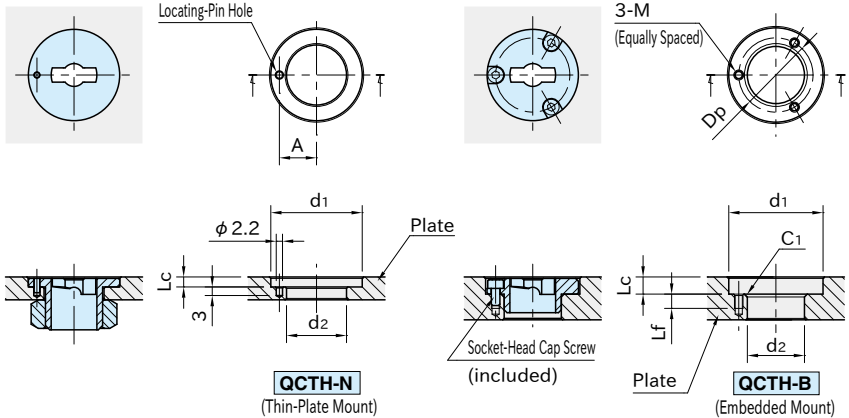
Installing Position



How To Install



Locate the Cam Receptacle with the locating pin and fasten it with the nut.



Part Number	Plate Thickness	d ₁	d ₂	A (±0.1)	L _c (^{+0.10} / ₀)	M	L _f	D _p	
QCTH0525-N	Thin-Plate Mount	6~10	25	+0.10	15	3.5	—	—	
QCTH0525-N-SUS		6~12	32	+0.05	21				
QCTH0834-N			32	21	13				
QCTH0834-N-SUS	Embedded Mount	Over 10	26	—	14	5	M2×0.4	4	
QCTH0525-B		Over 12	33						20
QCTH0525-B-SUS					6				
QCTH0834-B		6	M3×0.5						5
QCTH0834-B-SUS									

Reference

"Accuracy" of [QCTHA](#) [QCTH](#) [QCTHL](#) [QCTHH](#) Quarter-Turn Clamps