

QCPC

PIN HOLDING CLAMPS



Stainless Steel



QCPC



QCPC-S

(OFF position)



QCPC-SUS

Stainless Steel

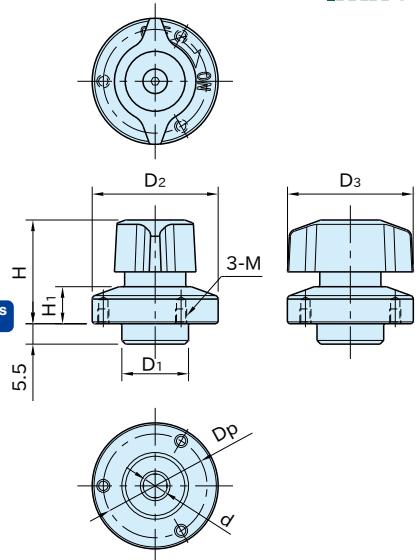


QCPC

(ON position)

★ Key Point

Minimises space requirement with clamping pins.



Type	Body	Shaft	Knob	Ball	Spring
QCPC	SUS303 stainless steel	S45C steel Electroless nickel plated	Polyamide (glass-fiber reinforced)	SUS440C stainless steel Quenched and tempered	SUS304WPB stainless steel
QCPC-S			Black		
QCPC-SUS		SUS303 stainless steel	SCS13 stainless steel (Equivalent to SUS304)		

Size		Plate Thickness	d (+0.4 / +0.2)	D1 (h9)	D2	D3	H	H1	M	Dp	Clamping Force (N)	Holding Force (N)**	Clamping Pins
QCPC	0625-10	3~10 *)	6	14	25	25	23	6.5	M2×0.4 Depth 3	21	7	110	QCPC0625-M4-SUS
QCPC-S													
QCPC-SUS	0834-14	3~14 *)	8	18	34	34	28	10	M3×0.5 Depth 4	28	9	150	QCPC0834-M5-SUS

*) Spacer [QCASP] is required for thinner plate than 6mm.

**) Exceeding the holding force creates a gap of greater than 0.1mm between plates.

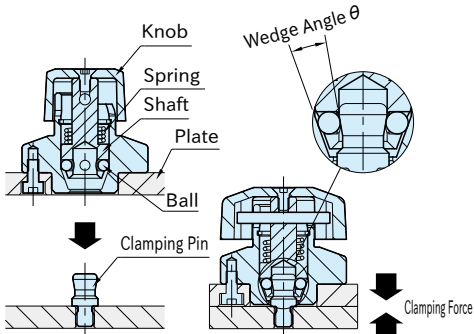
QCPC (Plastic Knob)		QCPC-S (Metal Knob)		QCPC-SUS (Stainless Steel)	
Part Number	Weight (g)	Part Number	Weight (g)	Part Number	Weight (g)
QCPC0625-10	35	QCPC0625-10S	45	QCPC0625-10-SUS	45
QCPC0834-14	85	QCPC0834-14S	105	QCPC0834-14-SUS	105



Supplied With

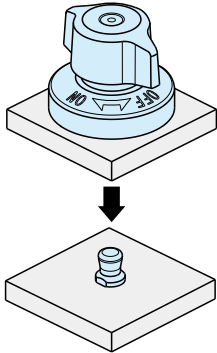
- QCPC QCPC-S QCPC-SUS 0625-10 : 3 of socket-head cap screws(stainless steel), M2×0.4-5L
- QCPC QCPC-S QCPC-SUS 0834-14 : 3 of socket-head cap screws(stainless steel), M3×0.5-6L

Feature



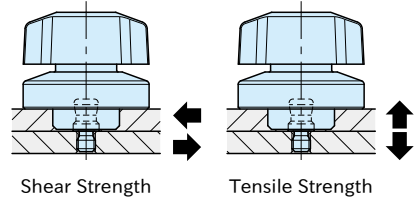
Four balls hold the Clamping Pin to pull the plate for clamping.

How To Use



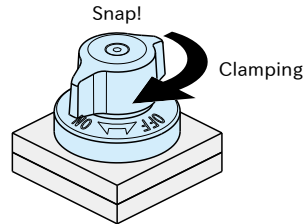
1. Ensure that the knob is positioned at the "OFF" mark and put Pin Holding Clamp over the Clamping Pin.

Mechanical Strength



Size		Heatresistant Temperature (°C)	Shear Strength (N)	Tensile Strength (N)
QCPC	0625-10	130	1100	250
	0834-14		1800	400
QCPC-S	0625-10	180	1100	250
QCPC-SUS	0834-14		1800	400

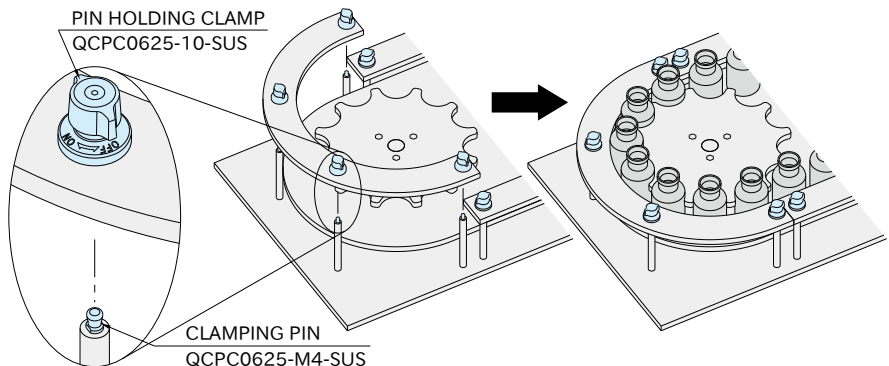
Shear and tensile strength is allowable load and the fastener could break when it receives bigger load.



2. Turn the knob to the "ON" mark for clamping.
Note: For unclamping, follow back these steps.

Application Example

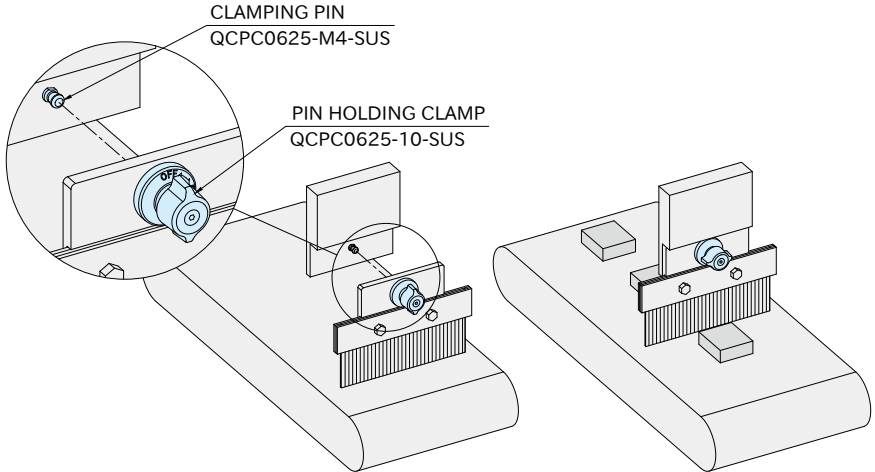
Changes of guides around star wheels



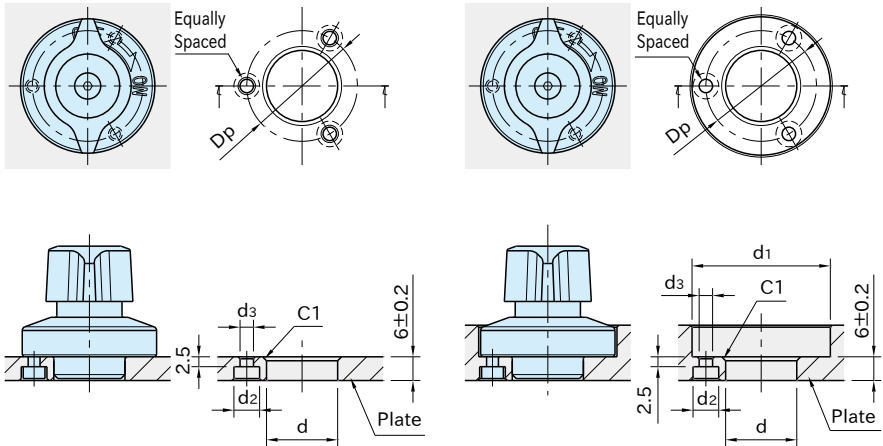
Continuing on Next Page

Application Example

Changes of static electricity removal brush



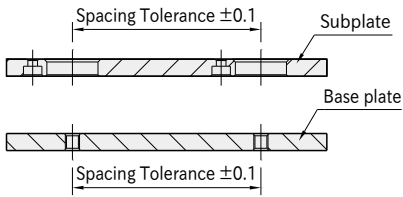
How To Install



Size	Plate Thickness	Figure	d (+0.10 +0.05)	d ₁	d ₂	d ₃	D _p
QCPC QCPC-S QCPC-SUS	0625-10 3 or more, under 6 6 Over 6, 10 or less	Spacer QCASP is required.					
		A	14	—	4.4	2.4	21
	B	—	26	—	—	—	—
0834-14 3 or more, under 6 6 Over 6, 14 or less	Spacer QCASP is required.						
	A	18	—	6.5	3.4	28	
	B	—	35	—	—	—	—

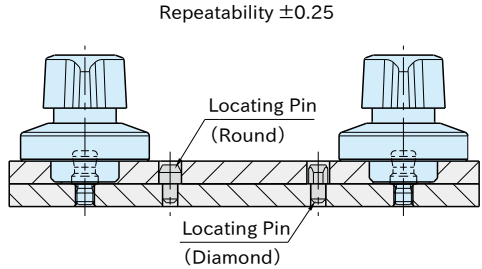
Accuracy

■ Machining Accuracy



Spacing tolerance on both the subplate and the base plate should be ± 0.1 .

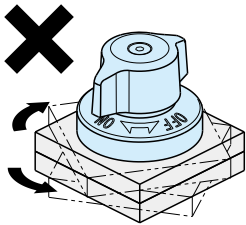
■ Repeatability



For higher accurate locating, use locating pins.

🔪 Note

Rotation of either sub plate or base plate can get Pin Holding Clamp unclamped, when one pair of the clamp and the clamping pin is used. Prepare a stop in such application.



Reference

- "How To Install" of [QCPC-M](#) Clamping Pins
- Spacer [QCASP](#) is required for 3mm or more, under 6mm plate thickness.

QCASP SPACERS

