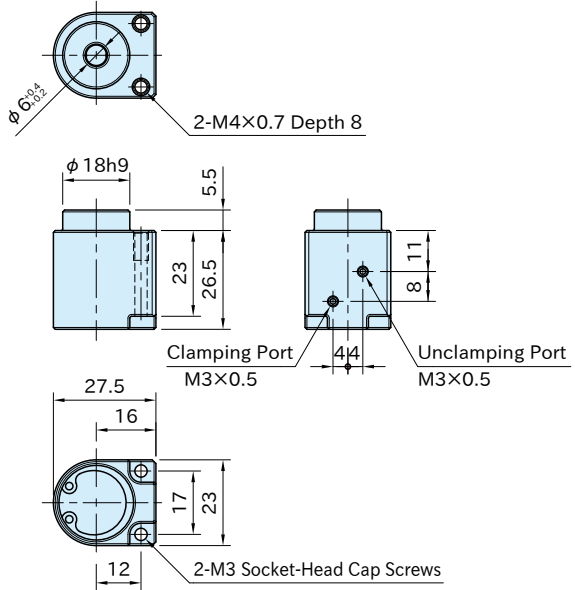


# PPHC-D

# PNEUMATIC PIN HOLDING CLAMP



Stainless Steel



★Key Point  
Double-acting pull down clamp

Body	Piston	Wedge/Ball	Spring	Retaining Ring	Seal
SCS13 stainless steel (equivalent to SUS304)	SUS303 stainless steel	SUS440C stainless steel Quenched and tempered	SUS304WPB stainless steel	SUS304 stainless steel	Nitrile rubber (NBR)

Part Number	Operating Air Pressure (MPa)	Clamping Force (N)		Weight (g)	Proper Clamping Pin
		With Air *)	Without Air **)		
PPHC0623D-SUS	0.3~0.7	40	6	105	QCPC0625-M4-SUS

\*) The clamping force above is at 0.5 MPa.

\*\*) Inner spring provides clamping without air supply.

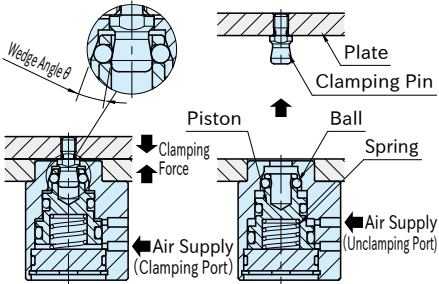
## Supplied With

2 of socket-head cap screws(stainless steel), M3×0.5-28L

## QCPC-M CLAMPING PIN

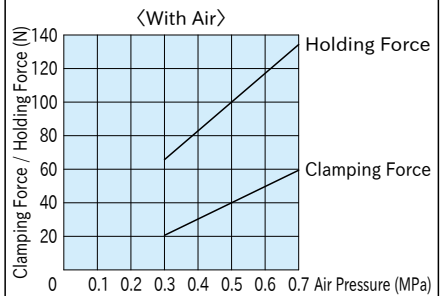


## Feature



- The piston goes up by air supply from clamping port and the balls move toward the center to pull down the clamping pin.
- The wedge clamping prevents the plate from lifting up.
- Inner spring keeps clamping without air supply.

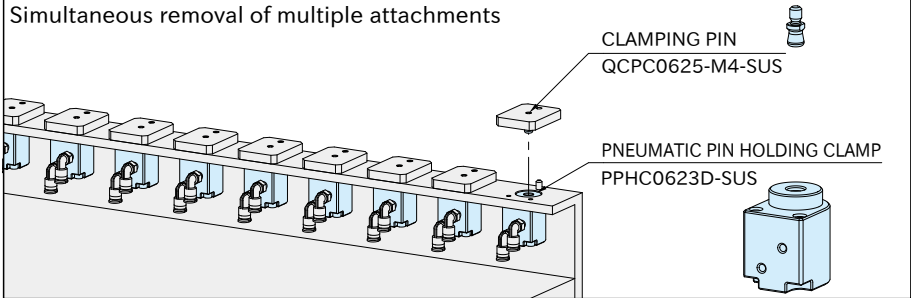
## Performance Curve



〈Without Air〉	
Clamping Force (N)	Holding Force (N)
6	40

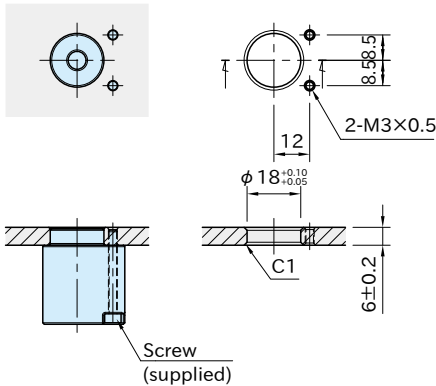
## Application Example

### Simultaneous removal of multiple attachments

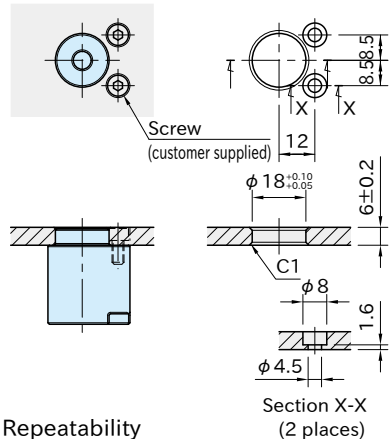


## Hole Preparation

With M3 Socket-Head Cap Screws (supplied)



With M4 Socket-Head Cap Screws (customer supplied)



## Machining Accuracy

Spacing tolerance for multiple use should be  $\pm 0.1$ .

## Repeatability

Repeatability is  $\pm 0.2$

For higher accurate locating, use locating pins.