

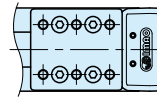
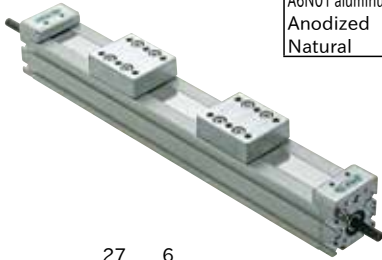
MAU5040DW

MECHANICAL LINEAR ACTUATORS (Dual Carriage, Synchro-Use)

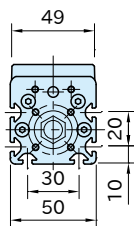
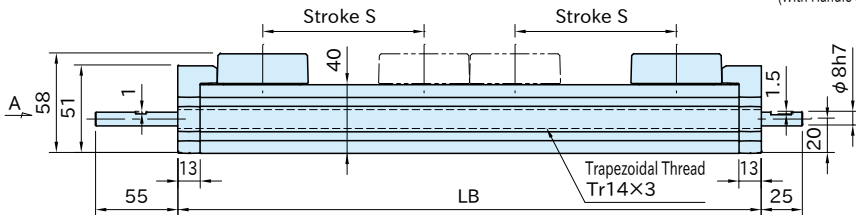
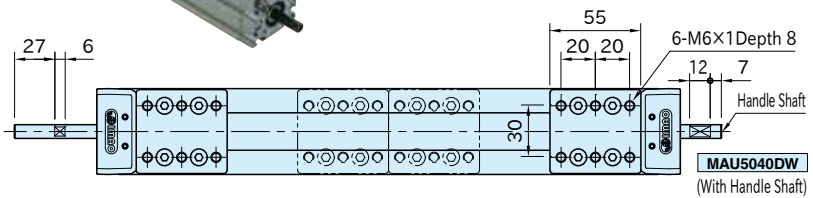
On Request 

IMAO

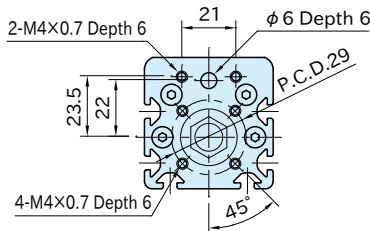
Body	Carriage End Plates	Shaft	Trapezoidal Nut	Screw	Dustproof Sheet
A6N01 aluminum Anodized Natural	ZDC2 die-cast zinc Chrome plated	S45C steel Black oxide finish	CAC902 copper alloy	SCM435 steel Trivalent chromate	SUS304H stainless steel



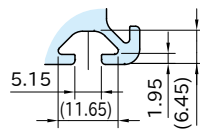
MAU5040DW-Y
(Without Handle Shaft)



VIEW:A



Dimensions of End Plate (Both ends)



Dimensions of 6 Slots

Part Number		S	LB	Weight (kg)	Delivery Time
With Handle Shaft	Without Handle Shaft				
MAU5040DW-100	MAU5040DW-100Y	100	356	2.4	10 Working Days
MAU5040DW-150	MAU5040DW-150Y	150	456	2.8	

Reference

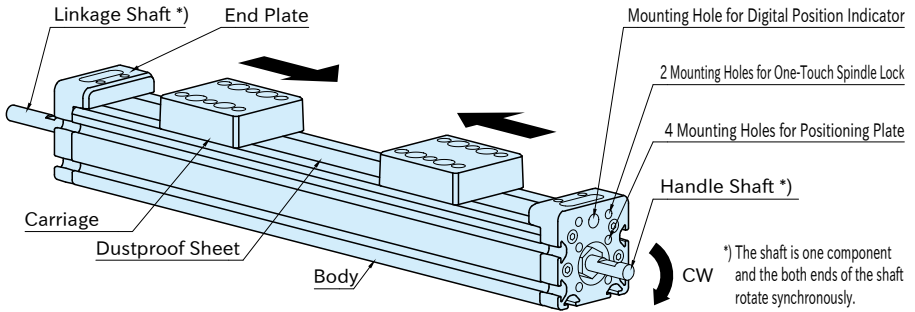
Technical Information of Mechanical Linear Actuators

Related Product

Choose the optional elements for your needs.

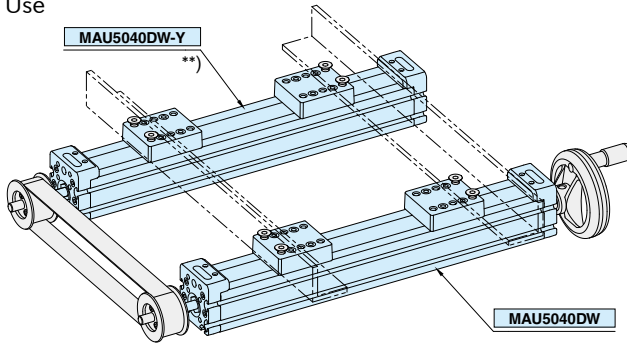
- One-Touch Spindle Locks
- Pair of Stops
- Positioning Plate
- T-Nuts
- Digital Position Indicators
- Groove Cover
- Adapter Shafts
- For actuators with customized stroke, see [MAUX5040DW](#).
- Handwheels

How To Use



- Two carriages move toward the arrow directions by turning the Handle Shaft clockwise.
- Two carriages move against the arrow directions by turning the Handle Shaft counterclockwise.
- Pitch between two carriages increases or decreases 6mm per rotation of the Handle Shaft.

■ Parallel Use



) **MAU5040DW-Y comes without Handle Shaft.