



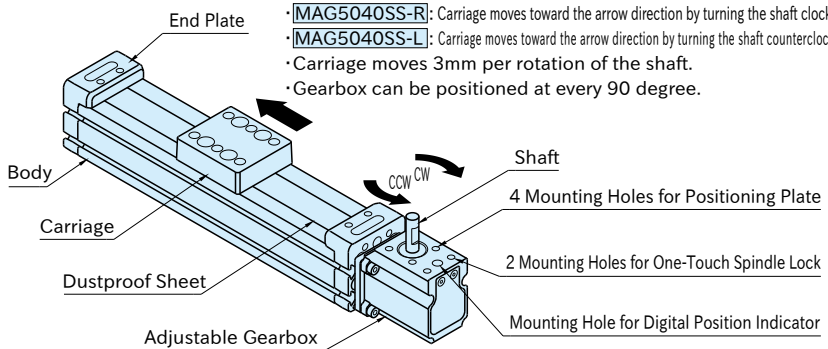
Part Number	Rotative Direction	S	LB	Weight(kg)	Delivery Time
MAG5040SS-100R	CW	100	201	2.0	10 Working Days
MAG5040SS-100L	CCW				
MAG5040SS-150R	CW	150	251	2.2	
MAG5040SS-150L	CCW				
MAG5040SS-200R	CW	200	301	2.4	
MAG5040SS-200L	CCW				
MAG5040SS-250R	CW	250	351	2.6	
MAG5040SS-250L	CCW				
MAG5040SS-300R	CW	300	401	2.8	
MAG5040SS-300L	CCW				

### Related Product

Choose the optional elements for your needs.

- One-Touch Spindle Locks
- Positioning Plate
- Digital Position Indicators
- Adapter Shafts
- Handwheels
- Pair of Stops
- T-Nuts
- Groove Cover
- For actuators with customized stroke, see [MAGX5040SS](#)

### How To Use



- [MAG5040SS-R](#): Carriage moves toward the arrow direction by turning the shaft clockwise.
- [MAG5040SS-L](#): Carriage moves toward the arrow direction by turning the shaft counterclockwise.
- Carriage moves 3mm per rotation of the shaft.
- Gearbox can be positioned at every 90 degree.

### Note

The gearbox will be delivered with mounted to Mechanical Linear Actuators in the orientation as in the figure above.

### Reference

- How To Change Gearbox Position
- Dimensions of Gearbox
- Technical Information of Mechanical Linear Actuators