

MAG5040DS

MECHANICAL LINEAR ACTUATORS WITH ADJUSTABLE GEARBOX (Synchro-Use)

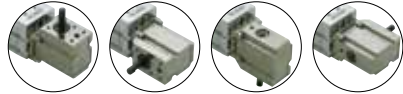
On Request



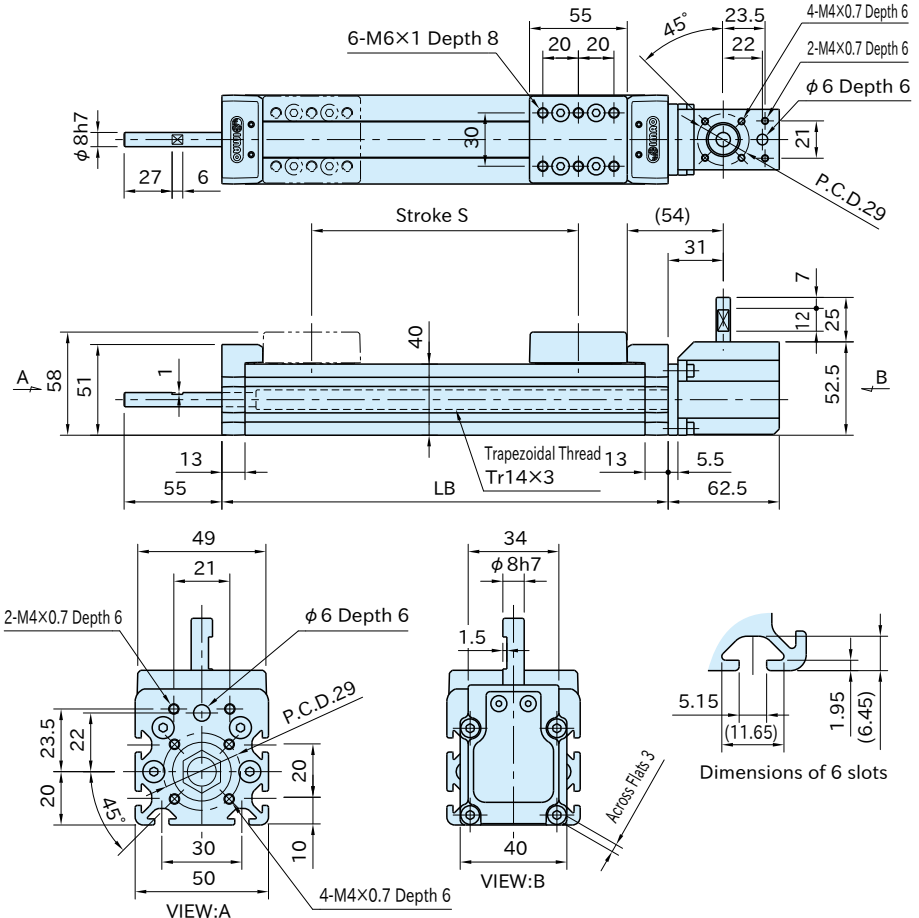
IMAO



Body	Carriage/End Plates	Shaft	Trapezoidal Nut
A6N01 aluminum Anodized Natural	ZDC2 die-cast zinc Chrome plated	S45C steel Black oxide finish	CAC302 copper alloy
Screw	Dustproof Sheet	Gearbox	
SCM435 steel Trivalent chromate	SUS304H stainless steel	S45C steel Electroless nickel plated	

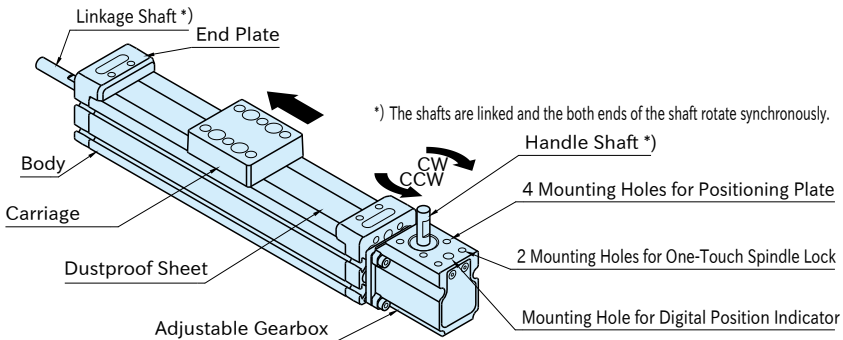


Gearbox can be positioned at every 90 degree.



Part Number	Rotative Direction	S	LB	Weight (kg)	Delivery Time
MAG5040DS-100R	CW	100	201	2	20 Working Days
MAG5040DS-100L	CCW				
MAG5040DS-150R	CW	150	251	2.2	
MAG5040DS-150L	CCW				
MAG5040DS-200R	CW	200	301	2.4	
MAG5040DS-200L	CCW				
MAG5040DS-250R	CW	250	351	2.6	
MAG5040DS-250L	CCW				
MAG5040DS-300R	CW	300	401	2.7	
MAG5040DS-300L	CCW				
MAG5040DS-350R	CW	350	451	2.9	
MAG5040DS-350L	CCW				
MAG5040DS-400R	CW	400	501	3.1	
MAG5040DS-400L	CCW				
MAG5040DS-450R	CW	450	551	3.3	
MAG5040DS-450L	CCW				
MAG5040DS-500R	CW	500	601	3.5	
MAG5040DS-500L	CCW				

How To Use



- **MAG5040DS-R**: Carriage moves toward the arrow direction by turning Handle Shaft clockwise.
- **MAG5040DS-L**: Carriage moves toward the arrow direction by turning Handle Shaft counterclockwise.
- Carriage moves 3mm per rotation of Handle Shaft.
- Gearbox can be positioned at every 90 degree.

Note

The gearbox will be delivered with mounted to Mechanical Linear Actuators in the orientation as in the figure above.

Reference

- How To Change Gearbox Position
- Dimensions of Gearbox
- Technical Information of Mechanical Linear Actuators

Related Product

Choose the optional elements for your needs.

- One-Touch Spindle Locks
- Positioning Plate
- Digital Position Indicators
- Adapter Shafts
- Handwheels
- Pair of Stops
- T-Nuts
- Groove Cover