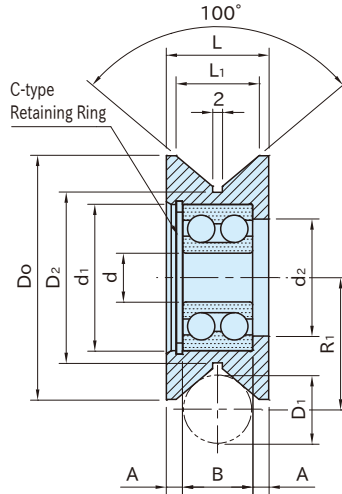


# GRL-SWA-Y

## Y GROOVE GUIDE ROLLERS (DOUBLE-ROW ANGULAR CONTACT BALL BEARING)



Body	Bearing/Retaining Ring
S45C steel Electroless nickel plated	Steel

Part Number	d	Do	D2	d1	d2	L	L1	min.		max.		A	B
								D1	R1	D1	R1		
<b>GRL50SWA-Y</b>	10	50	35	30	24	21	17	14	27	20	30.9	3.3	14.4
<b>GRL60SWA-Y</b>	12	60	42	32	26	23	20.1	16	32	25	37.9	3.5	16
<b>GRL70SWA-Y</b>	15	70	49	35	29	28	24	20	38	30	44.5	6	

Part Number	Bearing Type	Weight (g)	Applicable Roller Pins	
			RLP10SWA	RLP10EWA
<b>GRL50SWA-Y</b>	5200ZZ	195	RLP12SWA	RLP12EWA
<b>GRL60SWA-Y</b>	5201ZZ	315	RLP15SWA	RLP15EWA
<b>GRL70SWA-Y</b>	5202ZZ	525		

\*) D1 and R1 dimensions are for polished round steel bar that is available commercially.

### Features:

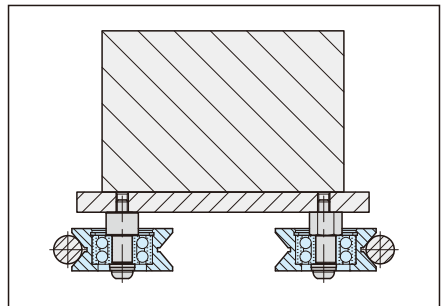
- Perfect for use in application that generates radial loads, axial loads in either direction, and moment loads.
- Use as rollers for sliding doors or carriers.
- Heavy-duty

### Technical Information:

#### Load Rating of Bearings

Bearing Type	Basic Load Rating Cr (N)	Basic Static Load Rating Cor (N)
<b>5200ZZ</b>	6950	3800
<b>5201ZZ</b>	9150	5050
<b>5202ZZ</b>	10000	6050

### Application Example



### Related Product Page

Applicable Roller Pins

**RLP-SWA** ROLLER PINS

**RLP-EWA** ECCENTRIC ROLLER PINS