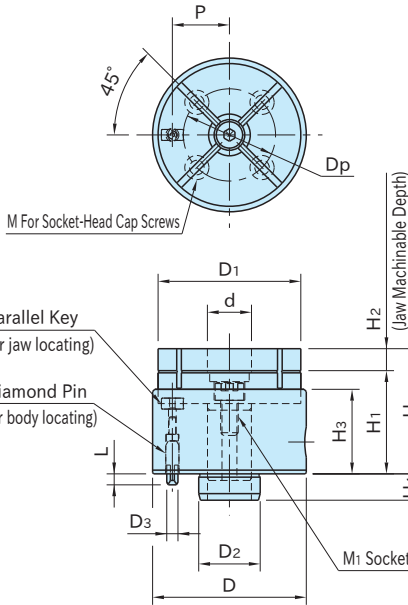
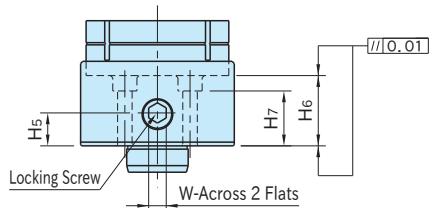
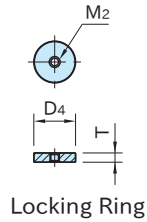


CP120

OD HOLDING CLAMPS



Body	Jaw
S45C steel Black oxide finish	A7075 aluminum Anodized Blue
Shaft / Locking Screw	Housing / Locking Ring
SCM435 steel Black oxide finish Quenched and tempered	S45C steel Black oxide finish



Part Number	D ₁	d	H	H ₂	D	H ₁	H ₃	H ₆ (±0.01)	D ₂ (g6)	H ₄	M	H ₇	D _p	D ₃ (h6)	L	P (±0.02)
CP120-06501	65	19	57	10	70	47	39	32	28	12	M6	25	42	6	5	26
CP120-09001	90	23	72	15	95	57	46	38	42	14	M8	28	60	8	7	36

Part Number	W	H ₅	M ₁	M ₂	D ₄	T	Clamping Force (kN)	Allowable Screw Torque (N·m)	Weight (kg)
CP120-06501	8	15	M 8X1.25-15L	M4X0.7	18	4	4	60	1.1
CP120-09001	10	17	M10X1.5 -20L	M5X0.8	22	6	6	100	2.6

Technical Information

- Part locating repeatability: ±0.03
- Jaw locating repeatability: ±0.02

Supplied With

- 1 of locking ring
- 1 of diamond pin
- 1 of socket-head cap screw

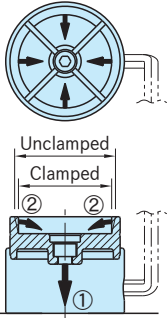
Note

- Do not tighten the clamp screw without the workpiece set to prevent damage and deformation.
- Do not machine the jaw beyond the machinable depth.

Related Product

- CP121 Jaws
- CP122 Mounting-on-lathe Adapters

Feature

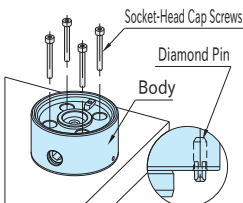


- ① When the locking screw is tightened, the central bottom part of the jaw is pulled down.
- ② At the same time the 4 jaw sections tilt toward the center to clamp the circumference of a part.

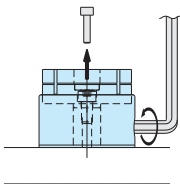
- The diaphragm clamping mechanism allows securely clamping a part with 4 jaw sections.
- Different irregularly-shaped parts can be clamped.
- 0.15mm clamping stroke of each jaw section is perfect for clamping of lost-wax parts, die-cast parts, extruded parts, solid-drawn parts, prefinished parts, etc.

How To Use

1. Body Mounting

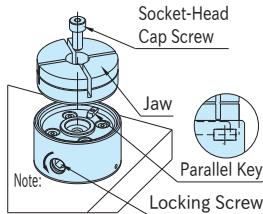


Insert an included diamond pin into the body for locating, and then secure the body to the fixture plate with 4 socket-head cap screws.

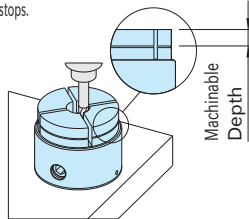


- (2) Tighten the locking screw to clamp the locking ring (after clamping the screw will be removed from the locking ring).

2. Jaw Setting

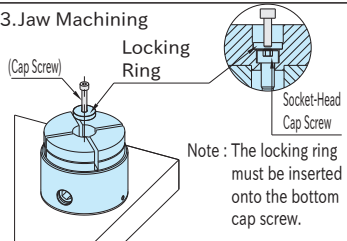


Engage the keyway on the bottom of the jaw with the parallel key on the top of the body, and then secure the jaw with an included cap screw.
Note: At jaw installation, ensure the locking screw is fully loosened by turning it counterclockwise until it stops.



- (3) Machine the jaw to the contours of workpiece.

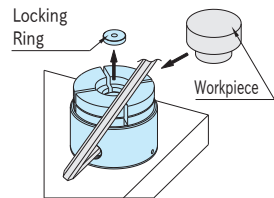
3. Jaw Machining



Note: The locking ring must be inserted onto the bottom cap screw.

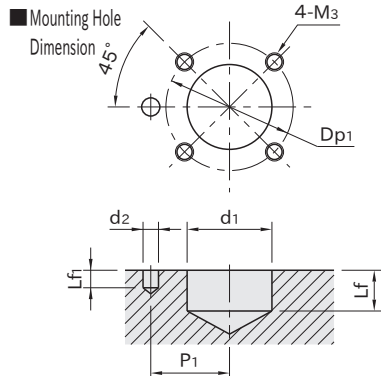
- (1) Set the locking ring in the jaw. (using a cap screw facilitates setting)

4. Workpiece Loading

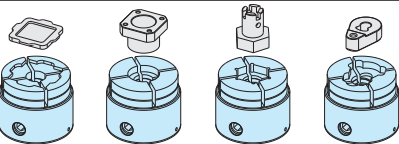


- Loosen the cap screw to remove the locking ring.
- Load the workpiece and tighten the clamping screw for clamping.

How To Install



Part Number	d ₁ (H7)	Lf	d ₂ (G7)	Lf ₁	P ₁ (±0.02)	M ₃	D _{p1}
CP120-06501	28	13	6	6	26	M6×1	42
CP120-09001	42	15	8	8	36	M8×1.25	60



- Tightening the locking screw on the side of the body allows holding a part on its circumference.
- Machinable jaws allow clamping parts of various shapes.
- Ideal way to hold parts for machining on small-size machining centers, tapping centers, small-size 5-axis machines, CNC rotary tables, etc.