

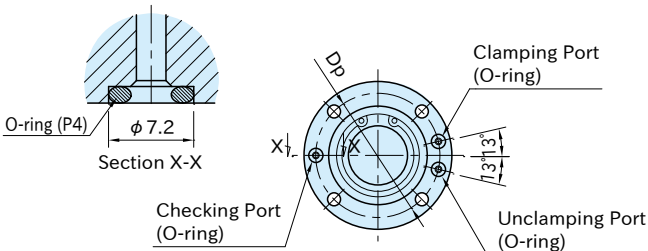
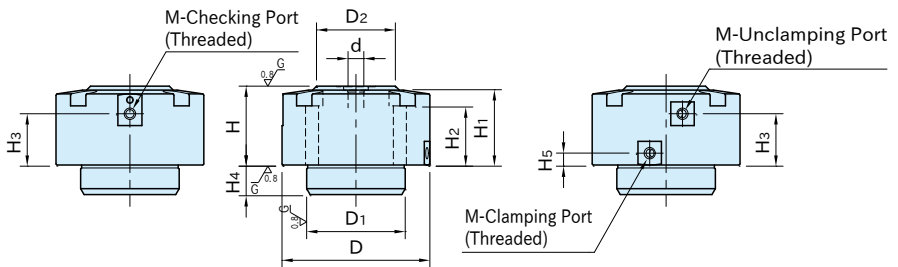
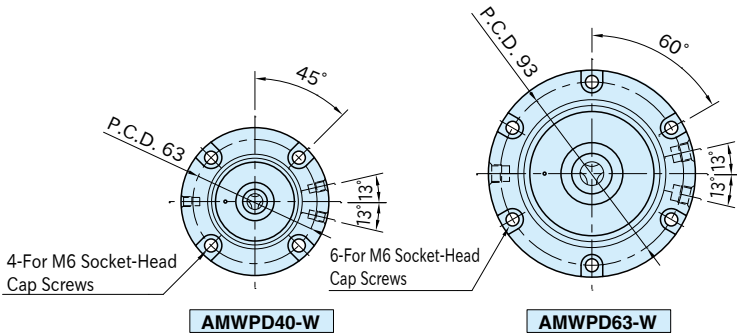
AMWPD-W

PNEUMATIC PULL CLAMPS



★ **Key Point** —
High clamping force by wedge mechanism.

Body	Cylinder
S45C steel Induction hardened (top surface) Black oxide finished Precision ground	SCM440 steel ISONITE treated



Part Number	d (F7)	D ₂	H (±0.01)	D	H ₁	D ₁ (g6)	H ₄	H ₂	Dp *)	M	H ₃	H ₅
AMWPD40-W	8	40	40	75	38	50	15	30	63	M5×0.8	26	6
AMWPD63-W	12	63	50	105	47	75	19	35	88	Rc1/8	31	10

Part Number	Furnished O-ring	Operating Air Pressure (MPa)	Clamping Force (kN **)	Weight (kg)
AMWPD40-W	P4	0.3~1.0	1	1.3
AMWPD63-W			2.5	3.2

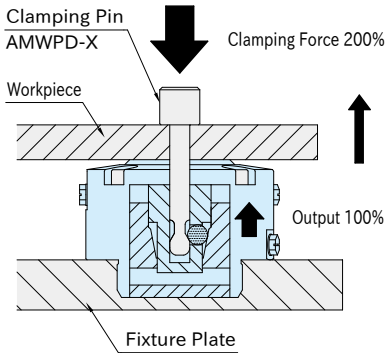
*) The dimensions above are for ports with o-ring.

**) The clamping forces above are at 0.5 MPa.

Feature

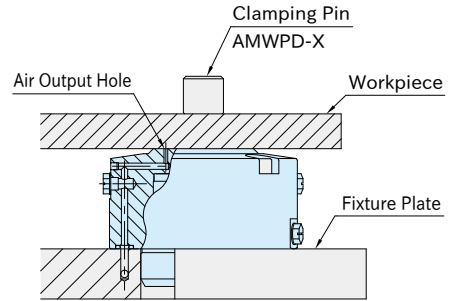
■ High Clamping Force

- Wedge mechanism increases clamping force to 200% compared to the air cylinder of the same size.
- When the air pressure is lowered by such as an air leakage, wedge mechanism prevents prompt lowering of the clamping force.



■ Checking Hole

Can check if the workpiece is clamped properly by applying air through the checking hole.



Technical Information

■ Allowable Counterforce (Per Clamp)

Part Number	Max. load(N)
AMWPD40-W	Clamping force × 2
AMWPD63-W	

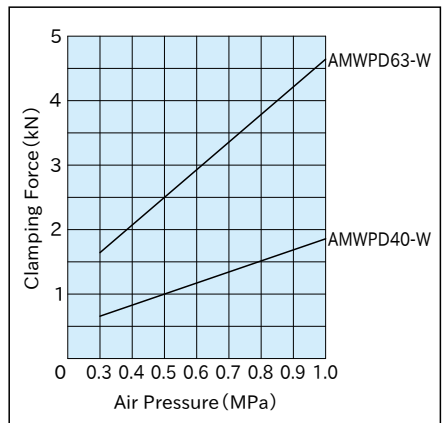
Related Product

- **AMWPD-X** CLAMPING PINS
- **AMWPD-M** CLAMPING SCREWS

Note

- Use clean air by removing dust with filter or draining with dryer.
- Impure compressed air may cause malfunction of the products.
- Using lubricator is recommended.

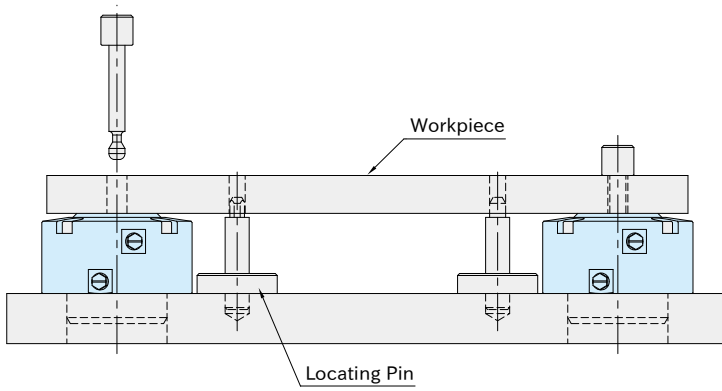
Performance Curve



How To Use

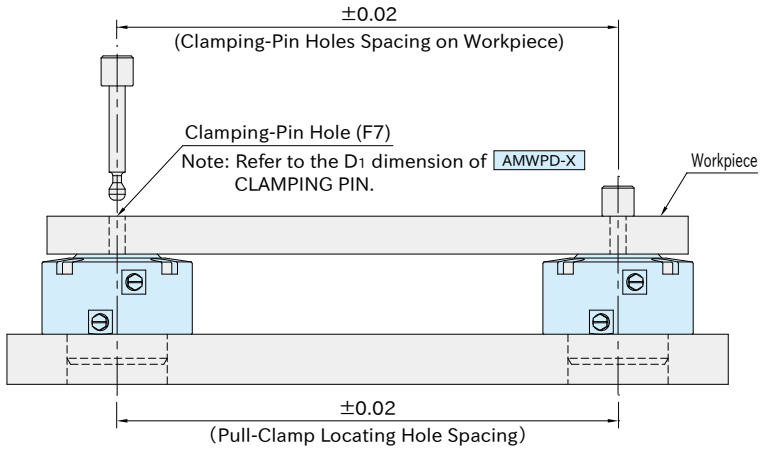
How to Locate Workpiece

1. Basic Method



2. Method for clamping and locating at a time

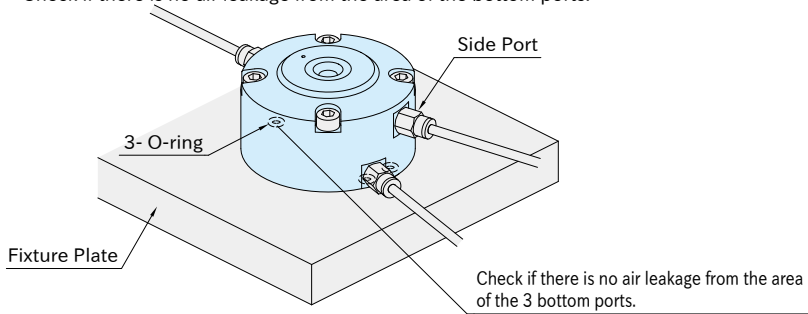
Locating Accuracy ± 0.08



■ How to Install

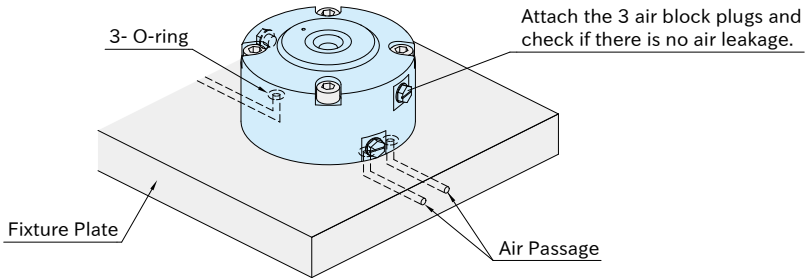
1. With Side Ports

- Attach the furnished o-rings to the bottom ports.
- Plate surface must be flat ($\frac{6.3}{\sqrt{}}$) to get the bottom ports sealed up.
- Check if there is no air leakage from the area of the bottom ports.



2. With Bottom Ports

- Attach the furnished o-rings to the bottom ports.
- Plate surface must be flat ($\frac{6.3}{\sqrt{}}$) to get the bottom ports sealed up.
- Refer to the figure below for the hole details.
- Ensure that the furnished air block plugs are attached to the side ports.



■ Hole Preparation

