

# AMWF-W

# PNEUMATIC FLEX LOCATOR PINS

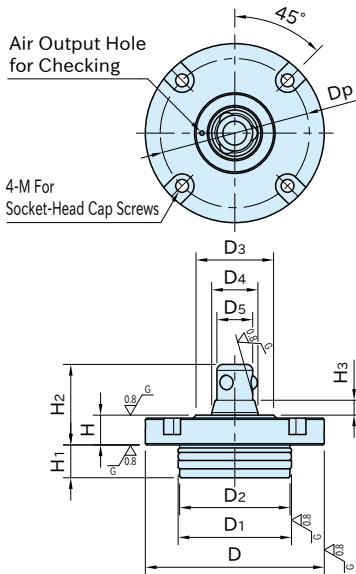


(Tapered Type)

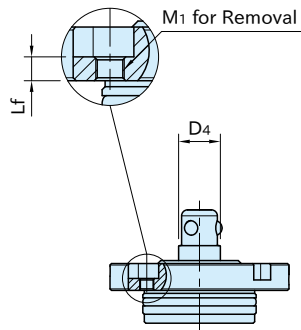


(Straight Type)

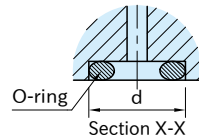
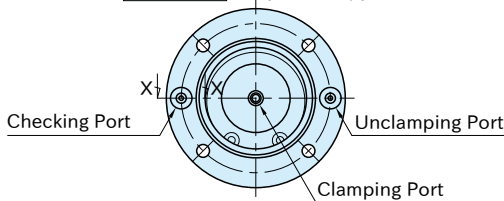
Body	Cylinder	Ball
SCM440 steel Induction hardened Black oxide finished Precision ground	S45C steel Induction hardened Electroless nickel plated	SUS440C stainless steel



**AMWF-W-T** (Tapered Type)



**AMWF-W-S** (Straight Type)



## Reference

- How To Use PNEUMATIC FLEX LOCATORS
- How To Install PNEUMATIC FLEX LOCATORS

## Note

- Use clean air by removing dust with filter or draining with dryer.
- Impure compressed air may cause malfunction of the products.
- Using lubricator is recommended.

Type		D <sub>1</sub> (g6)	D <sub>2</sub>	H <sub>1</sub>	D	D <sub>3</sub>	H (±0.003)	M	H <sub>3</sub>	D <sub>5</sub> ( <sup>-0.085</sup> / <sub>-0.15</sub> )	H <sub>2</sub>	L <sub>f</sub>	M <sub>1</sub>	D <sub>p</sub>
<b>AMWF-W-T</b>	<b>40</b>	48	47.5	15	70	38	12	M5	8	16	35	5	M6×1 (Drilled Hole φ5.2)	60
<b>AMWF-W-S</b>	<b>50</b>	58	57.5	19	85	48	15	M6	10	20	44	6	M8×1.25(Drilled Hole φ6.8)	72

Type	d	Furnished O-ring	Operating Air Pressure(MPa *)	Clamping Force(kN)
<b>AMWF-W-T</b>	<b>40</b>	7.2	P4	0.5
<b>AMWF-W-S</b>	<b>50</b>	8.2	P5	

### Related Product

**AMWF-BU** PNEUMATIC FLEX LOCATOR BUSHINGS

\*) At least 0.45 MPa is required for unclamping.  
The maximum operating air pressure is 1 MPa.

### AMWF-W-T (Tapered Type)

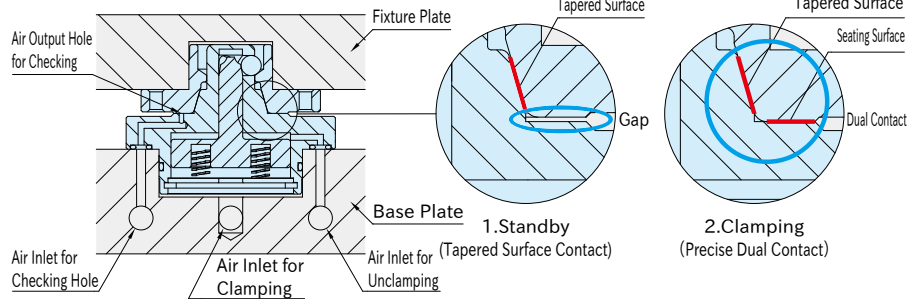
Part Number	D <sub>4</sub>	Weight (g)
<b>AMWF40-W-T</b>	24.5	450
<b>AMWF50-W-T</b>	31.5	820

### AMWF-W-S (Straight Type)

Part Number	D <sub>4</sub>	Weight (g)
<b>AMWF40-W-S</b>	20	440
<b>AMWF50-W-S</b>	26	810

### Feature

#### Structure and Locating Mechanism



· When the air pressure is lowered by an air leakage, the wedge mechanism and the spring prevent prompt lowering of the clamping force.

Clamping Force at 0 Mpa Air Pressure (Clamping Force of Spring)

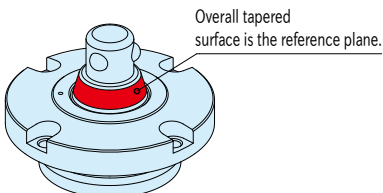
- AMWF40Type...1.2kN
- AMWF50Type...1.8kN

· Can check if the fixture plate is clamped properly by applying air through the checking hole.

· Precise dual contact provides excellent locating repeatability at 3 μm.

#### Functions

Locating with Tapered Type



Clamping with Straight Type

