

CP125

FORM HOLDING CLAMPS

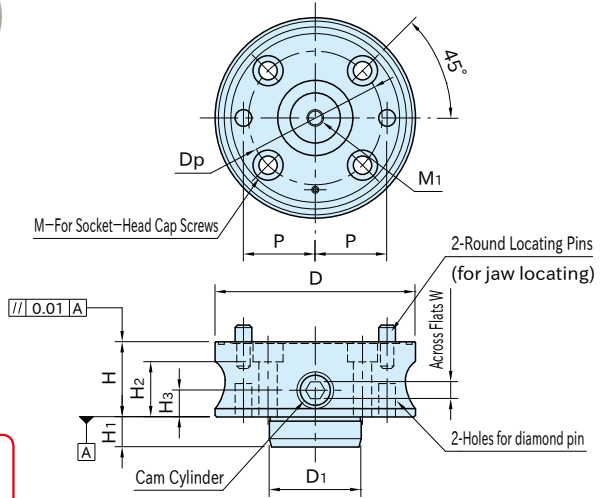
RHS Electroless Nickel Plated

IMAO



Note: Jaw is not included.

Body	Pull Cylinder	Cam Cylinder
S45C steel Electroless nickel plated	SCM415 steel Carburized-hardened Black oxide finish	SCM435 steel Quenched & tempered Black oxide finish



★Key Point

Can hold on external/
internal form.

Part Number	D	H (±0.01)	D ₁ (g6)	H ₁	M	H ₂	D _p	P (±0.02)	W	H ₃	M ₁
CP125-06501	65	35	28	12	M 6	27	42	22	8	12	M 8×1.25
CP125-09001	90	40	42	14	M 8	30	60	30		14	M10×1.5
CP125-12001	120	45	55	18	M10	33	80	43	10	16	
CP125-16001	160	50	63	24	M12	36	110	60		18	

Part Number	Allowable Screw Torque(N·m)	Weight (kg)	Proper Jaws					
			For External Form Holding			For Internal Form Holding		
			Part Number	Clamping Force(kN)	Clamping Stroke	Part Number	Clamping Force(kN)	Clamping Stroke
CP125-06501	15	0.8	CP126-06501	4.5	φ 0.3	CP127-06501	4.5	φ 0.3
CP125-09001	25	1.7	CP126-09001	7		CP127-09001	7	
CP125-12001	40	3.5	CP126-12001	10		CP127-12001	10	
CP125-16001		7.1	CP126-16001	12		CP127-16001		

Technical Information

- Part locating repeatability: ±0.03
- Jaw locating repeatability: ±0.02

Note

Do not tighten the cam cylinder without the workpiece set to prevent damage and deformation. Tightening with the torque beyond the allowable screw torque will lower the durability of the jaw.

Supplied With

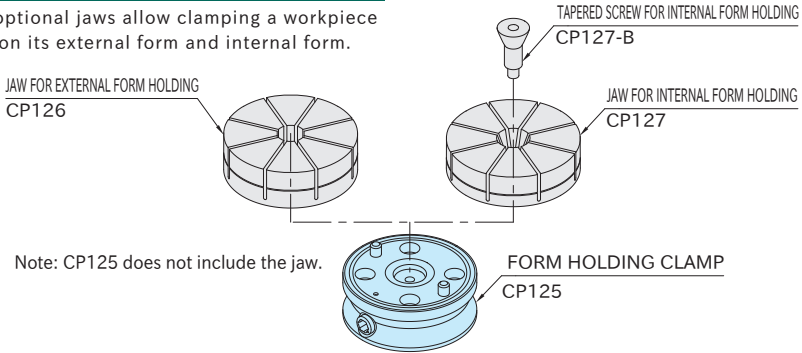
- **CP125-06501** : 1 pc. of Diamond Locating Pin (BJ722-06001)
- **CP125-09001** : 1 pc. of Diamond Locating Pin (BJ722-08001)
- **CP125-12001** : 1 pc. of Diamond Locating Pin (BJ722-10001)
- **CP125-16001** : 1 pc. of Diamond Locating Pin (BJ722-12001)

Related Product

- **CP126** Jaws for External Form Holding
- **CP127** Jaws for Internal Form Holding
- **BJ722** Diamond Locating Pin
- **CP122** Mounting-on-lathe Adapters

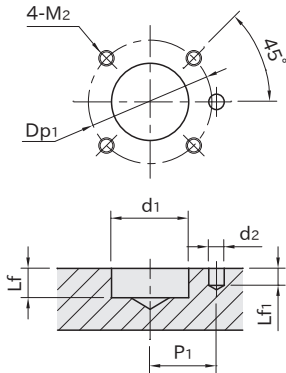
Feature

Two optional jaws allow clamping a workpiece both on its external form and internal form.



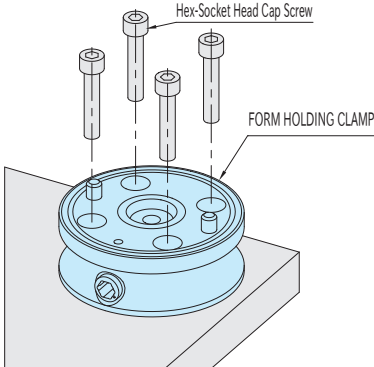
How To Use

■ Mounting Hole Dimension



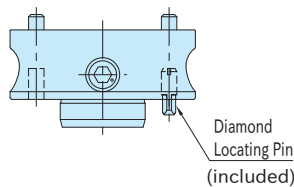
Part Number	d ₁ (H7)	Lf	d ₂ (G7)	Lf ₁	P ₁ (±0.02)	M ₂	Dp ₁
CP125-06501	28	13	6	6	22	M 6×1	42
CP125-09001	42	15	8	8	30	M 8×1.25	60
CP125-12001	55	19	10	11	43	M10×1.5	80
CP125-16001	63	25	12	13	60	M12×1.75	110

■ Installation Instruction



Insert an included diamond pin into the body for locating and secure the body to the fixture plate with 4 socket-head cap screws.

Note: Use either of the holes for diamond locating pin for your application.



Dimension of Diamond Locating Pin

Part Number	Diameter
CP125-06501	φ 6h6
CP125-09001	φ 8h6
CP125-12001	φ 10h6
CP125-16001	φ 12h6